

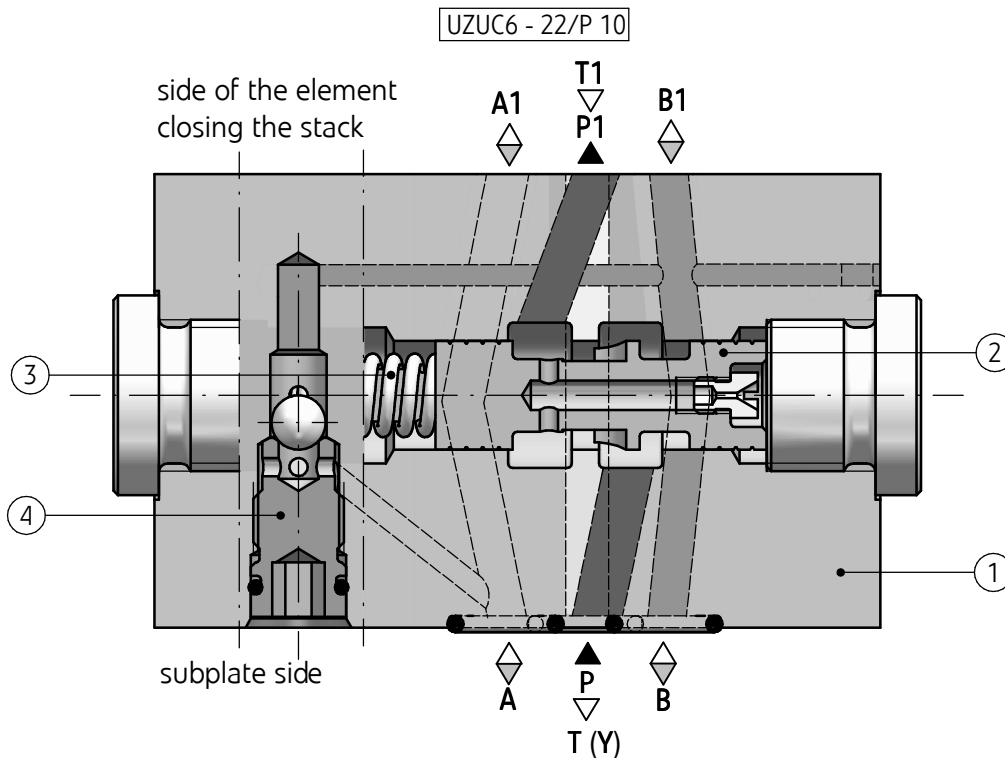
DATA SHEET - OPERATION MANUAL

APPLICATION

Compensation valve type **UZUC6**... is intended for keeping the constant flow rate of hydraulic fluid, independently of the pressure at the receiver (a cylinder) in systems, where the main working stream (the flow) is controlled with throttling. The valve is adjusted for inter-plate installation, dedicated for hydraulic systems with proportional valves and subplate connection acc. to **ISO 4401-03**.



DESCRIPTION OF OPERATION



Main elements of the valve type **UZUC6**... are body (1), spool (2), spring (3) and logic valve (4) used to select higher control pressure from port **A** or **B**. For version **UZUC6...P**... (2-way version) the difference of pressures between port **P** and ports **A** or **B** acts on the spool (2), and after the initial spring (3) tension is overcome, the

way in port **P - P1** is opened. The flow in port **P** is being kept on the permanent level (see the valve characteristics) independently of pressure change in the system. Additionally for version **UZUC6...PT**... (3-way version) the compensator operation consists in draining the excess operating fluid from port **P** to port **T** (drain).

TECHNICAL DATA

| | | |
|-------------------------------------|--|---------------------|
| Hydraulic fluid | mineral oil | |
| Required fluid cleanliness class | ISO 4406 class 20/18/15 | |
| Nominal fluid viscosity | 37 mm ² /s at temperature 55 °C | |
| Viscosity range | 2,8 up to 380 mm ² /s | |
| Fluid temperature range (in a tank) | recommended | 40 °C up to 55 °C |
| | max | -20 °C up to +70 °C |
| Ambient temperature range | - 20 °C up to +70 °C | |
| Max operating pressure | 35 MPa | |
| Max flow rate | 30 dm ³ /min | |
| Weight | 1,3 kg | |

INSTALLATION AND OPERATION REQUIREMENTS

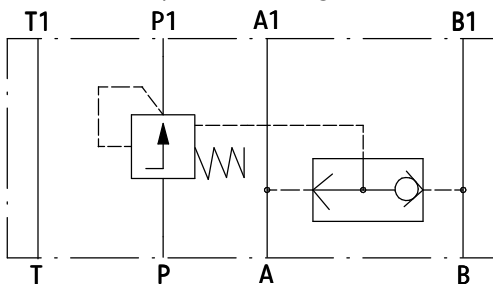
- | | |
|---|--|
| <ol style="list-style-type: none"> 1. Only fully functional and operational valve can be used. 2. During the operation one must maintain the recommended fluid viscosity acc. to requirements defined in this Data Sheet - Operation Manual. 3. In order to provide failure-free and safe operation of the valve, one should systematically check: <ul style="list-style-type: none"> • proper working of the valve • cleanliness of the hydraulic fluid 4. Due to heating of the valve body to high temperature, the valve should be placed in such a way to eliminate the risk of accidental contact with the valve body | <ol style="list-style-type: none"> 5. In order to provide tightness of the valve connection to the hydraulic system, one should keep the dimensions of the sealing rings, tightening torques and valve operation parameters specified in this Data Sheet - Operation Manual. 6. A person operating the valve must be thoroughly familiar with the content of this Data Sheet - Operation Manual. |
|---|--|

DIAGRAMS

Hydraulic diagrams of valves type UZUC6...

version UZUC6...P...

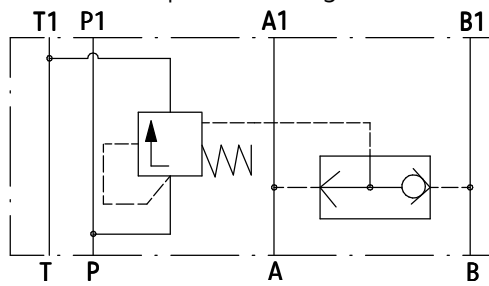
side of a component closing the stack



subplate side

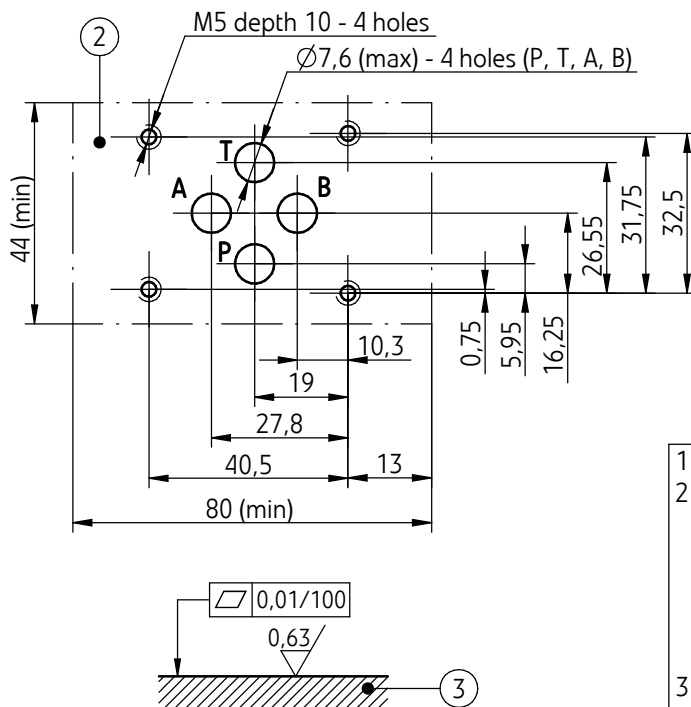
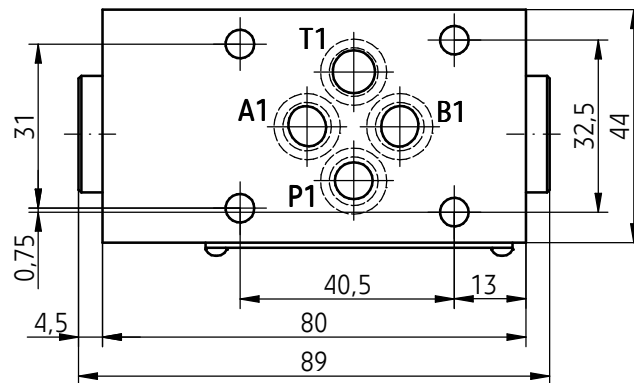
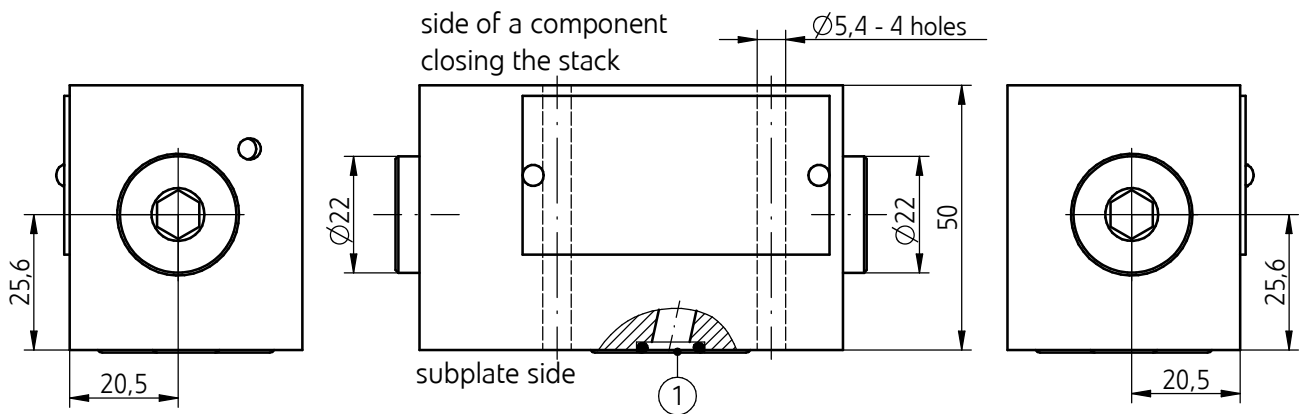
version UZUC6...PT...

side of a component closing the stack



subplate side

OVERALL AND CONNECTION DIMENSIONS



- 1 - Sealing o-ring 9,25 x 1,78 - pcs 4/set (P, T, A, B)
- 2 - Porting pattern of the subplate surface compliant with ISO 4401 standard
designaion ISO 4401-03-02-0-94 (CETOP 03)
fixing screws M5 x L* - 10.9 in accordance with PN -EN ISO 4762 - pcs 4/set; must be ordered separately; tightening torque Md = 9 Nm
- 3 - Subplate surface required

NOTE:

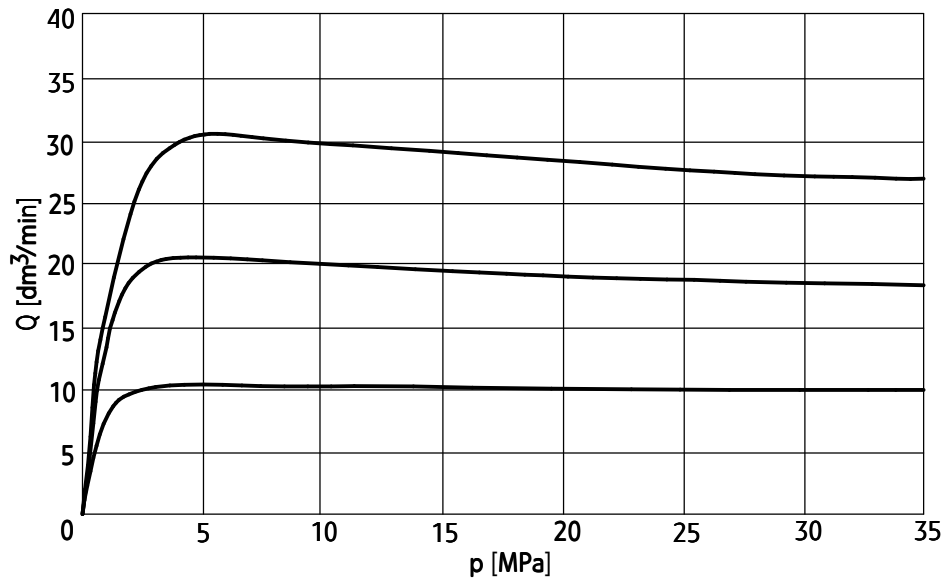
(*) - Required length of the screws L is related to type and the number of hydraulic components sanwich fitted

PERFORMANCE CURVES

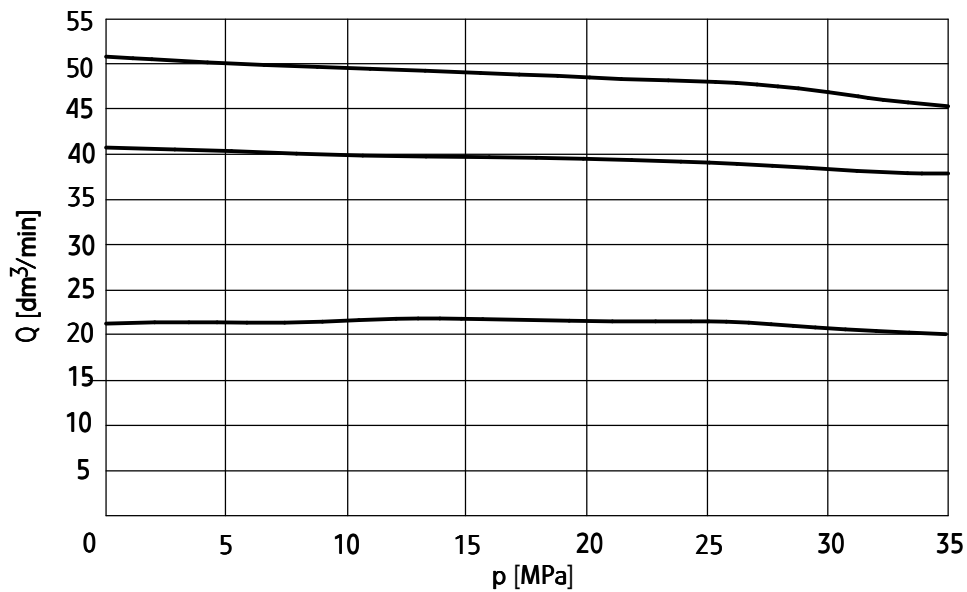
measured at viscosity $\nu = 41 \text{ mm}^2/\text{s}$ and temperature $t = 50^\circ\text{C}$

Pressure curves

version UZUC6...P...



version UZUC6...PT...



HOW TO ORDER

| | | | | | |
|-------------|----------|----------|----------|-----------|----------|
| UZUC | 6 | + | / | 10 | * |
|-------------|----------|----------|----------|-----------|----------|

Nominal size (NS)

NS6 = 6

Series number

(20-29) - connection and installation dimensions unchanged = 2X

series 22 = 22

Pressure compensation

2-way = P

3-way = PT

Pressure compensation range

Δ p - 1 MPa = 10

Sealing

NBR (for fluids on mineral oil base) = no designation

FKM (for fluids on phosphate ester base) = V

Further requirements in dear text

(to be agreed with the manufacturer)

NOTES:

The valve should be ordered according to the above coding.

The symbols in bold are the preferred versions in short delivery time.

Coding example: UZUC6 - 22/P 10

SUBPLATES AND FIXING SCREWS

Subplates must be ordered according to data sheet

WK 496 480. Subplate symbols:

G 341/01 - threaded connections G 1/4

G 342/01 - threaded connections **G 3/8**

G 502/01 - threaded connections G 1/2

G 341/02 - threaded connections M14 x 1,5

G 342/02 - threaded connections M16 x 1,5

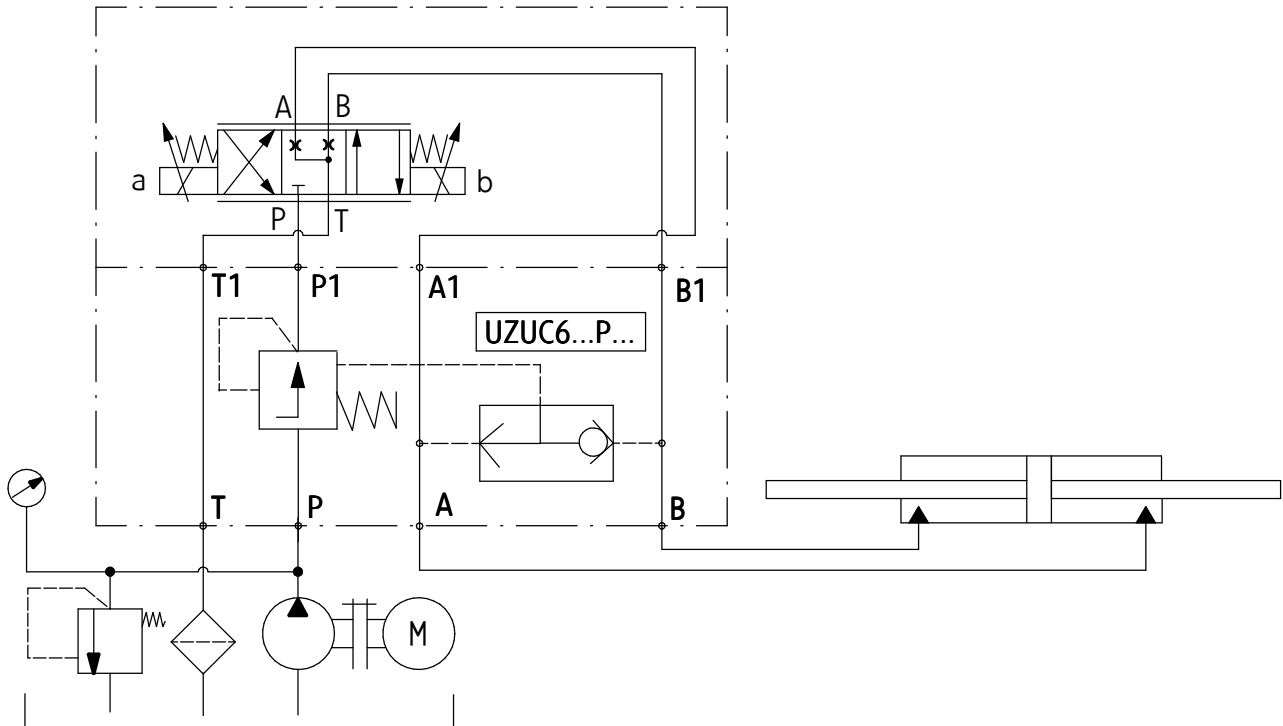
The subplate symbol in bold is the preferred version available in short delivery time.

Subplates and screws fixing the valve **M5 x L* - 10,9** in accordance with **PN - EN ISO 4762** - pcs 4/set must be ordered separately. Tightening torque **Md = 9 Nm**

NOTE:

(*) - Required length of the screws **L** is related to type and the number of hydraulic components sandwich fitted

**EXAMPLE OF APPLICATION
IN HYDRAULIC SYSTEM**



PONAR Wadowice S.A.
 ul. Wojska Polskiego 29
 34-100 Wadowice
 tel. +48 33 488 21 00
 fax. +48 33 488 21 03
www.ponar-wadowice.pl

