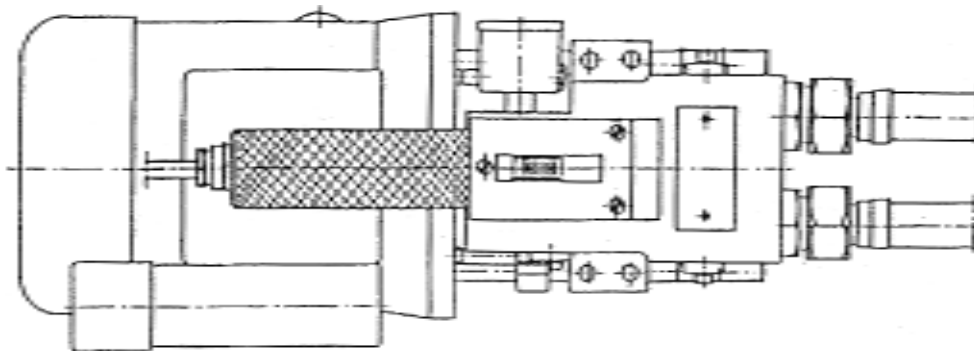
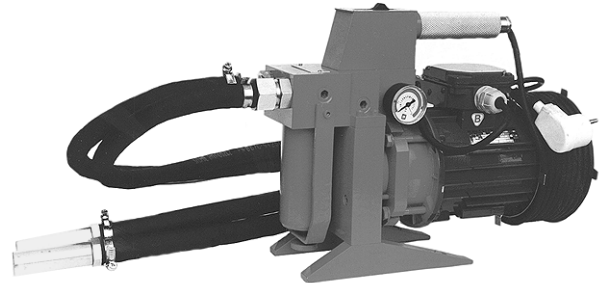


APPLICATION

Unit type UYFA is designed to pump and at the same time filtrate hydraulic oil, especially :

- to fill a tank with oil
- to rinse small hydraulic poewr units.

CAUTION ! The unit is not suitable for pumping sludge or deposit.



DESCRIPTION OF OPERATION

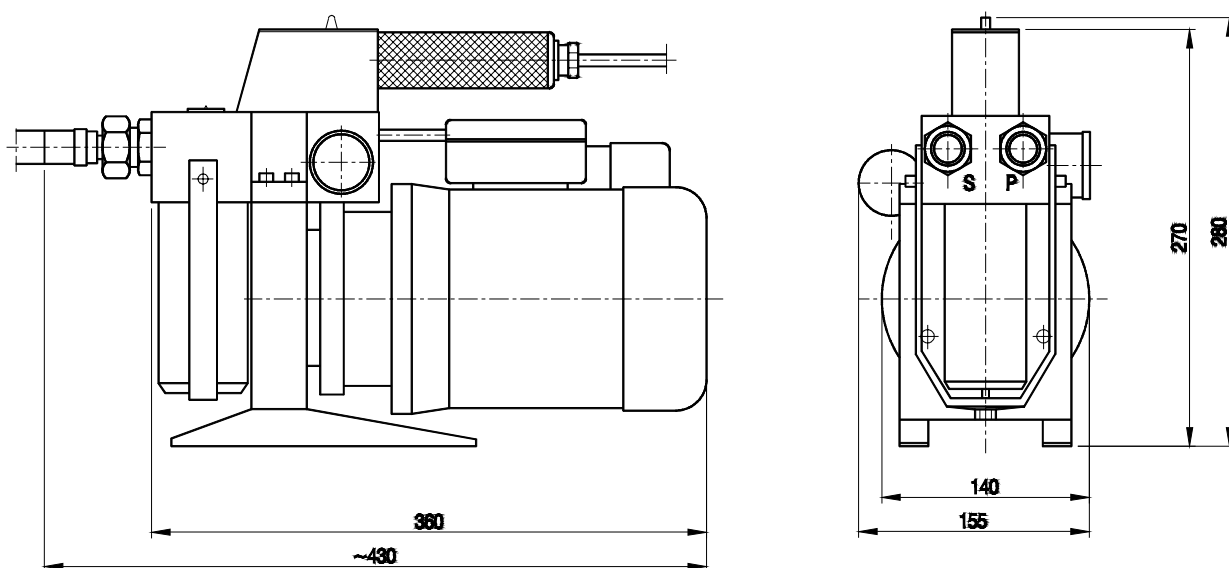
Oil pumping and filtering unit is portable. A main part of the unit is a vane pump directly driven by means of a single-phase asynchronous motor. The pump body constitutes a load bearing structure for the rest of the unit. Oil is sucked via a hose from a dispenser and then pumped into a tank. A pressure filter is built-in on the pressure line. The unit is equipped with a manometric clogging indicator.

When the pointer of this indicator is in red area, filtering element has to be replaced immediately. The pump is shunted by means of a by-pass valve which opens at pressure 0,4 MPa (this valve is regarded as the indicator of maximum filter dirt). In this way the pump and the motor are protected.

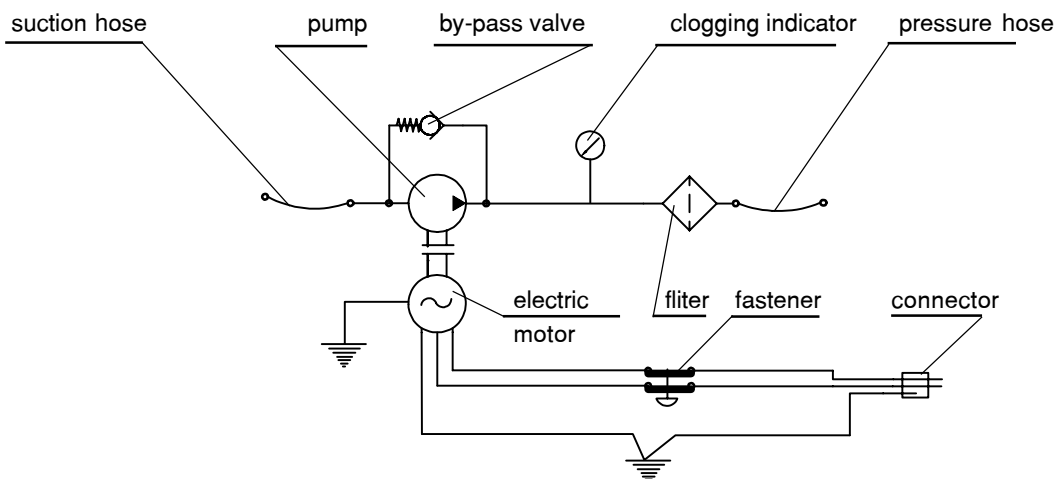
TECHNICAL DATA

Working medium	Mineral oil
Nominal fluid viscosity	37 mm ² /s at temp. 328 K
Viscosity range	2.8 do 380 mm ² /s
Optimum working temperature	313 ÷ 328 K
Fluid temperature range	290 ÷ 340 K
Filtration (on a customer's request)	from 3 to 25 µm
Inlet pressure	0,1 bar
Outlet pressure	3,5 bar
Weight	16 kg
Pump type	vane pump
Pump delivery	Q=15 dm ³ /min ± 3 dm ³ / min
Motor type	SEMKf 71-4B-F15-II
Supply voltage	220 V - 50Hz
Motor power	0.25 kW
Noice level	68 dB A
Operation	continuous duty
Electrical conductor	5 m.
Rubber hose	1,5 m

OVERALL DIMENSIONS



Diagram



HOW TO ORDER

Order coded as below should be forwarded to the manufacturer.

UYFA	15/10	25	*
Nominal pump delivery [l / min]			
Series number : 10 =10			
Filtration : 3 - 3 µm 6 - 6 µm 10 - 10 µm 16 - 16 µm 25 - 25 µm			
Further requirements in clear text (to agree with the manufacturer)			

Example :
UYFA15/10-25

Filtrating element	Filtration	Producer
01. E60. 3VG. - 3.0	3 µ	INTERNORMEN
01. E60. 6VG. - 3.0	6 µ	INTERNORMEN
01. E60. 10VG. - 3.0	10 µ	INTERNORMEN
01. E60. 16VG. - 3.0	16 µ	INTERNORMEN
01. E60. 25VG. - 3.0	25 µ	INTERNORMEN

PONAR WADOWICE S.A.
ul. Wojska Polskiego 29
34-100 Wadowice
tel. 033/ 823 39 43, 823 30 41
fax 033/ 873 48 80
e-mail: ponar@ponar-wadowice.pl

