

# Manifold plate ULRA 6

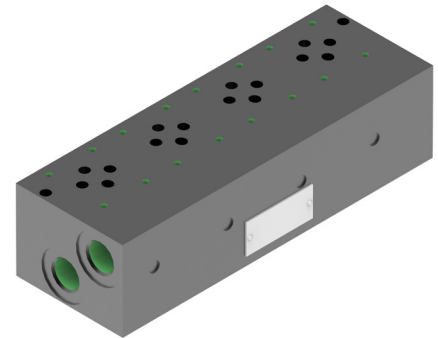
NS 6 |  $p_{max}$  35 MPa | WK 450 499



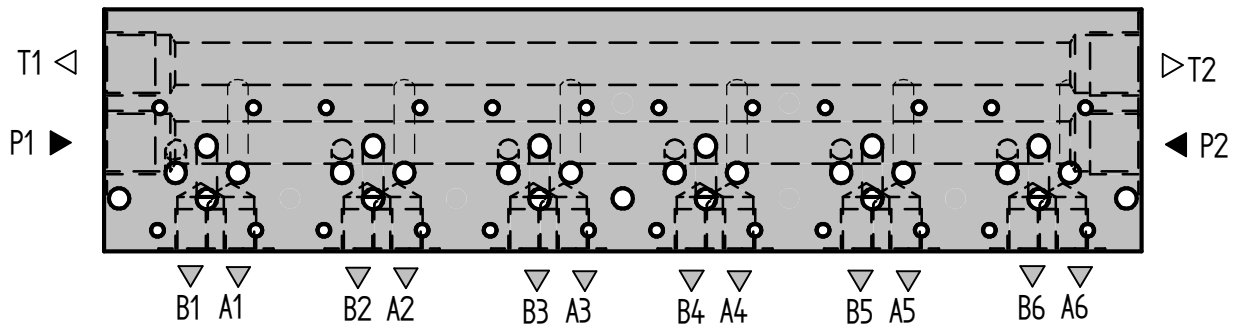
## DATA SHEET - OPERATION MANUAL

### APPLICATION

Manifold plates type **ULRA6...** are used for assembling manifold blocks from the components manufactured by PONAR Wadowice S.A.



version **ULRA6/12-01C**



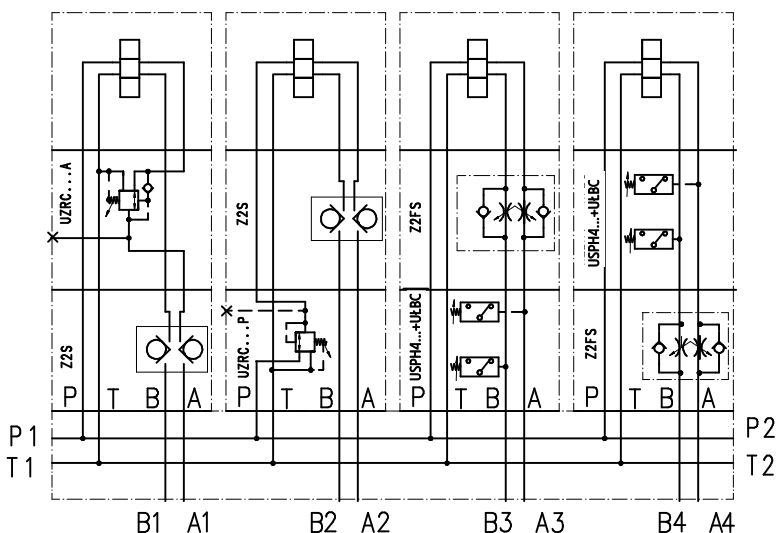
### DESCRIPTION OF OPERATION

The following elements from the table below can be installed on ULRA6... manifold as elements of control blocks of hydraulic

systems with joint supply P and drain T of hydraulic oil.

description	type	WK number			
pressure sequence valves	UZRC6	WK 493 061			
electrically operated directional spool valves	WE6	WK 499 502			
hydraulically operated directional spool valves	WH6	WK 420 170			
manually, lever-operated directional spool valves	WMM6	WK 420 170			
hand knob operated directional spool valves	WMD6	WK 420 170			
pressure reducing valves	UZRC6	WK 493 060			
check valves	WZZC6	WK 421 440			
pilot-operated double check valves	ZZS6	WK 450 360			
throttle check valves	ZZFS6	WK 421 060			
pressure switches (with UŁBC plate)	USPH4	WK 450 398			
pressure relief valves	UZPR6	WK 433 390			

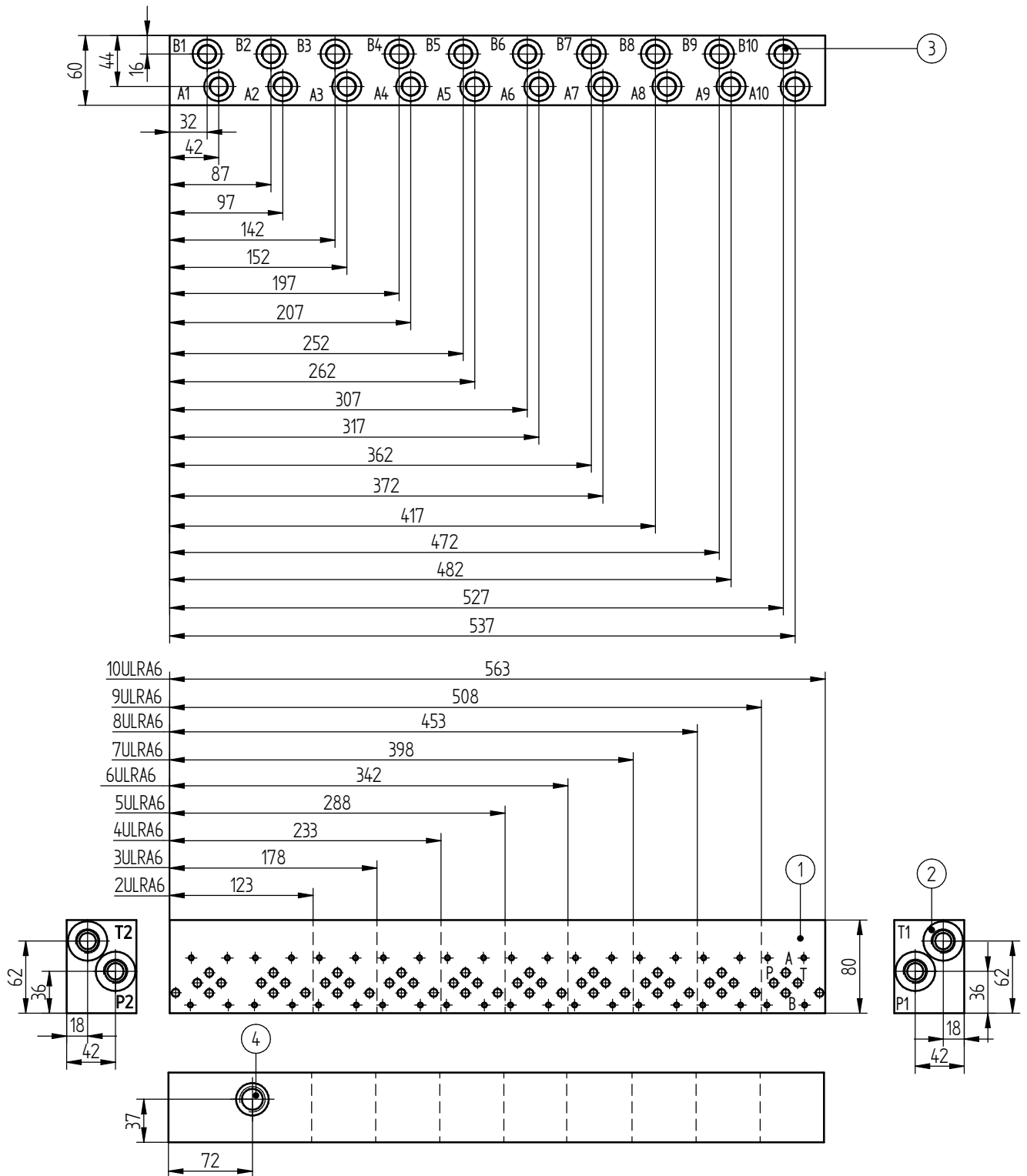
### EXAMPLE OF APPLICATION



## OVERALL AND CONNECTION DIMENSIONS

versions 2ULRA6... - 10ULRA6...

dimensions and location of threaded connections

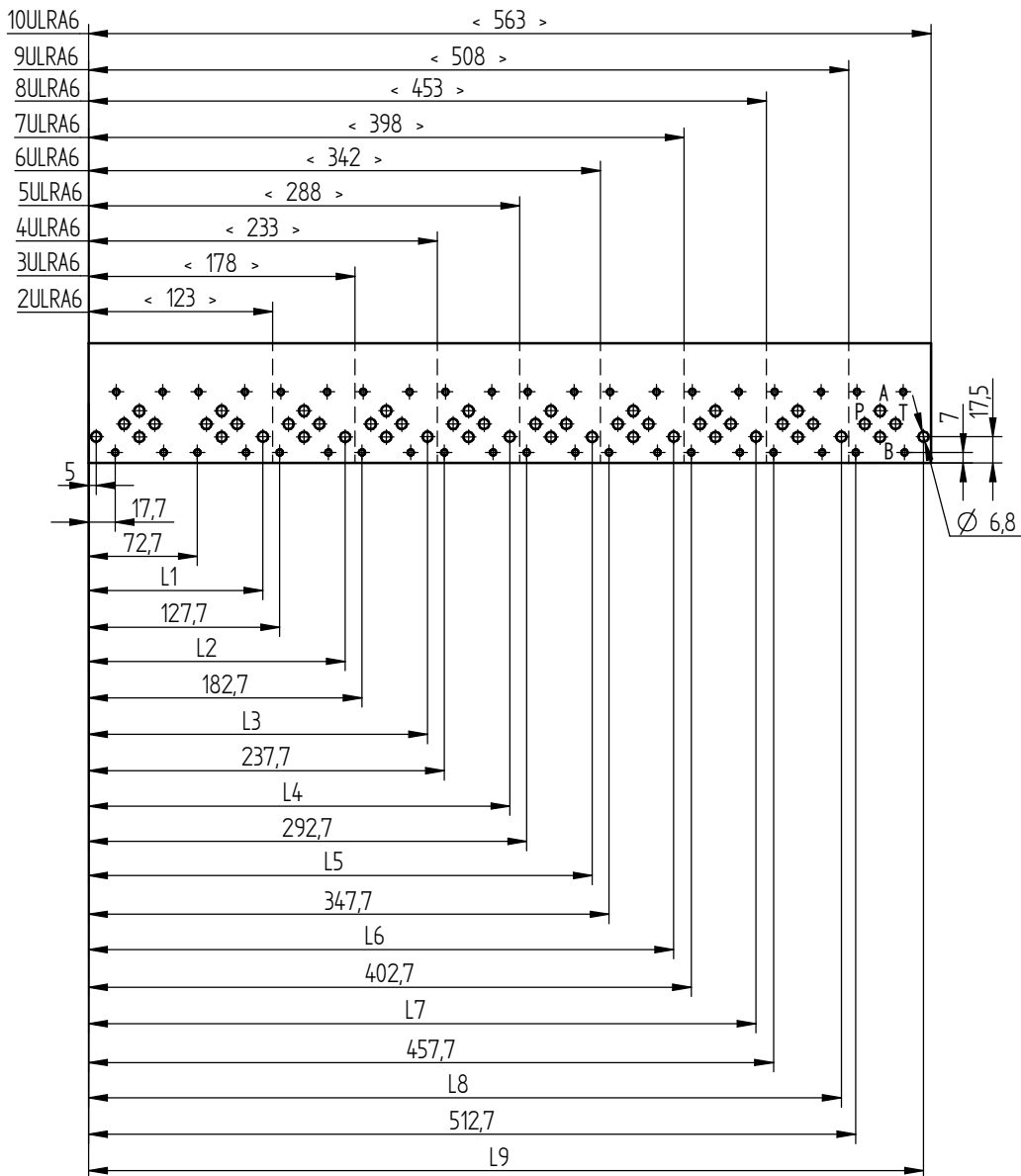


- connection surface for hydraulic elements, porting pattern of the manifold compliant with standards:
  - CETOP RP 121H nominal size CETOP 03
  - ISO 4401-03
- connection ports for plates: P1, T1, P2, T2, - G $\frac{1}{2}$
- connection ports for actuators: A1...A10, B1...B10 - G $\frac{3}{8}$
- ports for pressure relief valve UZPS6 acc. to data sheet WK 492 860 - only for version ...ULRA6-...Z...

## OVERALL AND CONNECTION DIMENSIONS

versions 2ULRA6... - 10ULRA6...

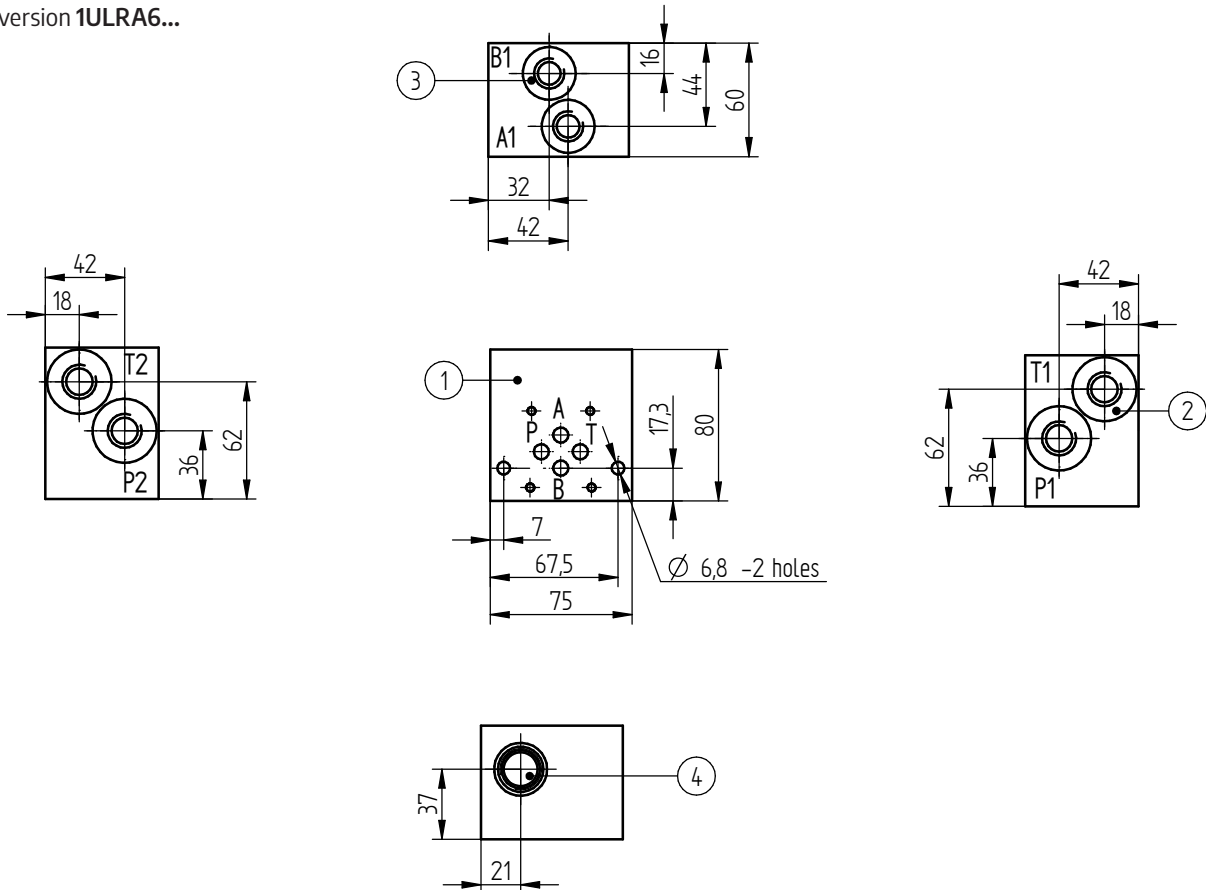
### connection surface for hydraulic elements



manifold version	location of the mounting holes								
	L1	L2	L3	L4	L5	L6	L7	L8	L9
2ULRA6...	118								
3ULRA6...	-	173							
4ULRA6...	-	-	228						
5ULRA6...	-	-	-	283					
6ULRA6...	-	171,5	-	-	338				
7ULRA6...	-	171,5	226,5	-	-	393			
8ULRA6...	-	-	226,5	-	-	-	448		
9ULRA6...	-	171,5	-	-	336,5	-	-	503	
10ULRA6...	116,5	-	-	281,5	-	-	446,5	-	558

## OVERALL AND CONNECTION DIMENSIONS

version 1ULRA6...

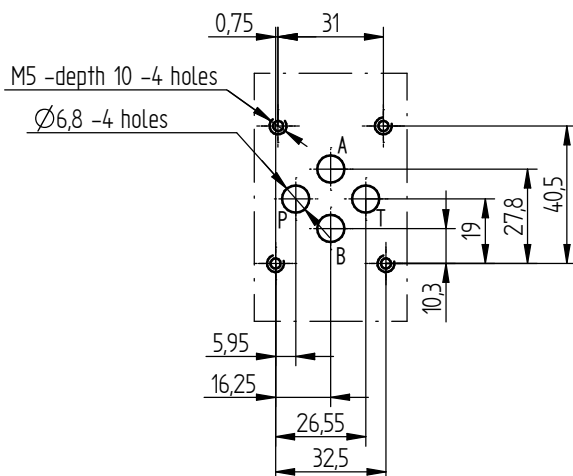


1. connection surface for hydraulic elements, porting pattern of the manifold compliant with standards:
  - CETOP RP 121H nominal size CETOP 03
  - ISO 4401-03
2. connection ports for plates: P1, T1, P2, T2 - G $\frac{1}{2}$
3. connection ports for actuators: A1...A10, B1...B10 - G $\frac{3}{8}$
4. ports for pressure relief valve UZPS6 acc. to data sheet WK 492 860 - only for versions...ULRA6-...Z...

### hydraulic elements connection

porting pattern compliant with standards:

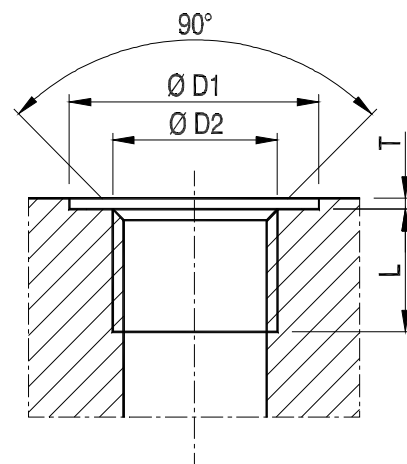
- CETOP RP 121H - designation CETOP 4.2-4-03 (WN CETOP 03)
- ISO 4401-03 - designation ISO 4401-03-02-0-94



### hydraulic elements connection

connection ports for plates: P1, T1, P2, T2 - G $\frac{1}{2}$

connection ports for actuators: A1...A10, B1...B10 - G $\frac{3}{8}$

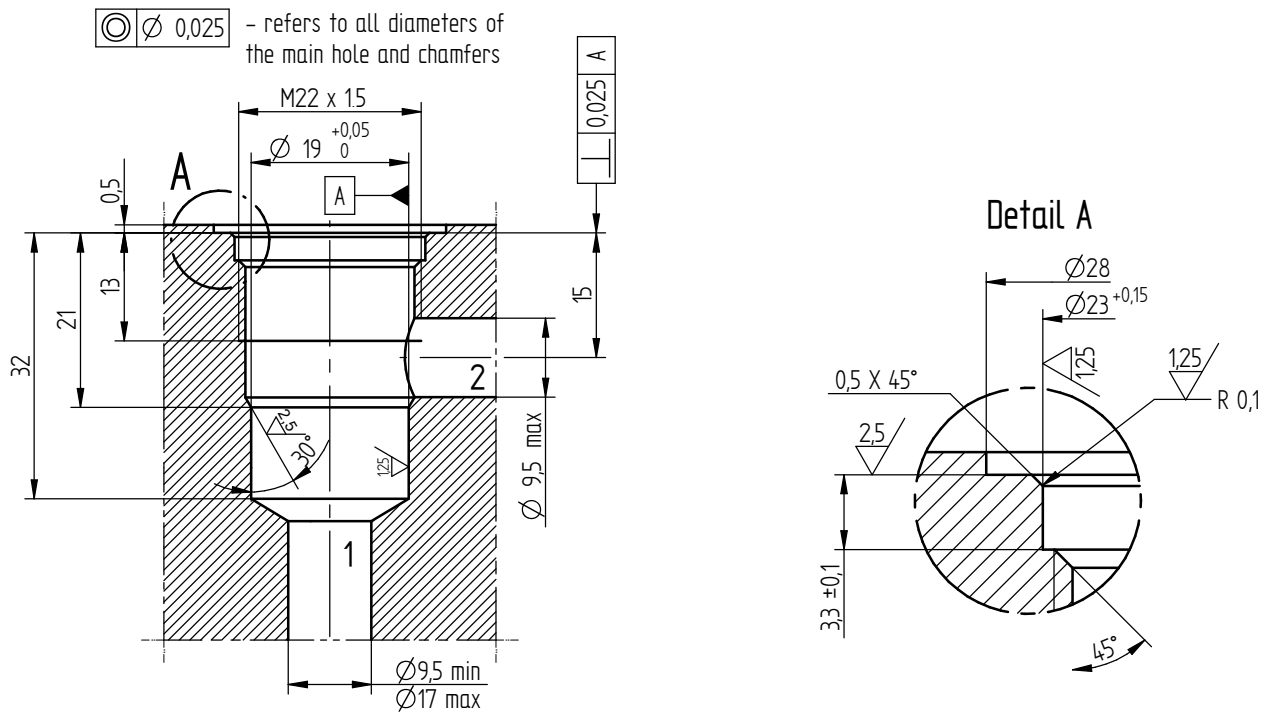


connection port	dimension			
	Ø D2	L	Ø D1	T
A1...A10, B1...B10	G $\frac{3}{8}$	12	28	1
P1, P2, T1, T2	G $\frac{1}{2}$	14	34	1

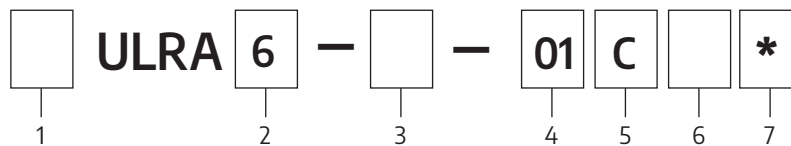
## OVERALL AND CONNECTION DIMENSIONS

### pressure relief valve cavity dimensions

nominal size **M-06-2** (only for version...ULRA6--Z...)



## HOW TO ORDER



### 1 number of elements

for 1 element =	1
for 2 elements =	2
for 3 elements =	3
for 4 elements =	4
for 5 elements =	5
for 6 elements =	6
for 7 elements =	7
for 8 elements =	8
for 9 elements =	9
for 10 elements =	10

### 2 nominal size (NS)

WN6 =	6
-------	---

### 3 series number

series 12=	12
(10-19) connection and installation dimensions unchanged	

### 4 thread type of connection ports (P1, T1, P2, T2)

G 1/2 =	01
---------	----

### 5 thread types of connection ports of actuators (A1...A10, B1...B10)

G 3/8 =	C
---------	---

### 6 pressure relief valve cavity

(type UZPS6...\*)

without pressure relief valve cavity =	Ø
with pressure relief valve cavity =	Z

### 7 further requirements = \*

(agreed upon with the Manufacturer)

\* - pressure relief valve UZPS6...(data sheet WK492 860) delivered on separate order

Ø indicates that the box should be left blank. The **symbols in bold** are the preferred versions available in short delivery time

Coding example: **8ULRA6-12-01C**

## CONTACT

PONAR Wadowice S.A.  
ul. Wojska Polskiego 29  
34-100 Wadowice

tel. +48 33 488 21 00  
[www.ponar-wadowice.pl](http://www.ponar-wadowice.pl)