

# Manifold plate ULRA 10

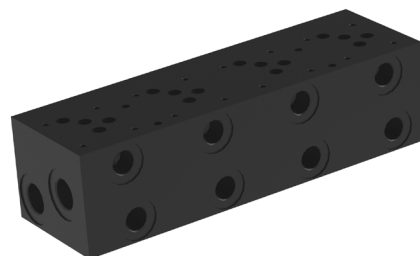
NS 10 |  $p_{max}$  35 MPa | WK 450 500



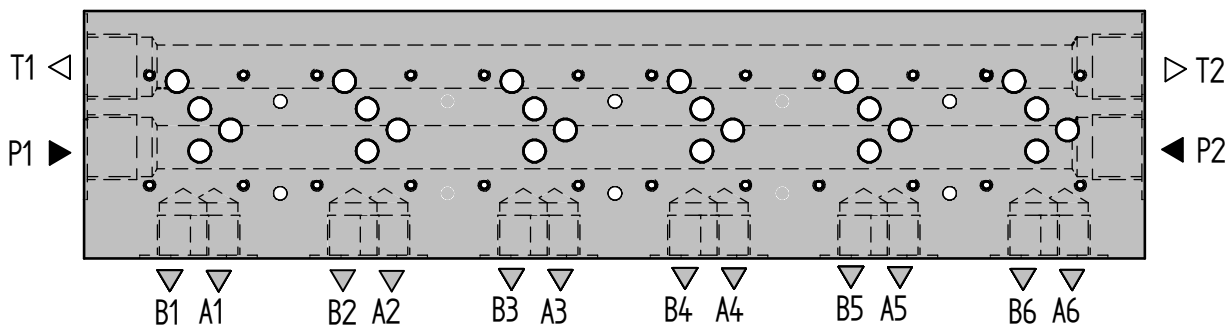
## DATA SHEET - OPERATION MANUAL

### APPLICATION

Manifold plates type **ULRA10...** are used for assembling manifold blocks from the components manufactured by PONAR Wadowice S.A.



version **ULRA10/12-01C**



### DESCRIPTION OF OPERATION

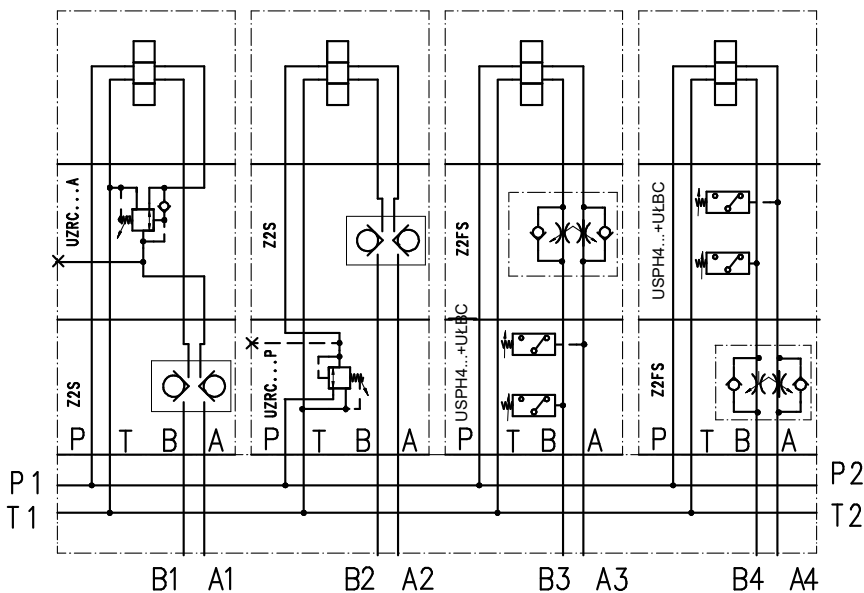
The following elements from the table below can be installed on **ULRA10...** manifold as elements of control blocks of hydraulic

systems with joint supply **P** and drain **T** of hydraulic oil.

description	type	WK number
electrically operated directional spool valves	WE10	WK 427 700
hydraulically operated directional spool valves	WH10	WK 430 700
manually, lever-operated directional spool valves	WMM10	WK 430 700
hand knob operated directional spool valves	WMD10	WK 430 700
pressure reducing valves	UZRC10	WK 494 720

pressure sequence valves	UZKC10	WK 494 721
check valves	WZZC10	WK 421 520
pilot-operated double check valves	ZZS10	WK 450 309
throttle check valves	ZZFS10	WK 422 160
pressure switches (with UŁBC plate)	USPH4	WK 450 398
pressure relief valves	UZPR10	WK 497 100

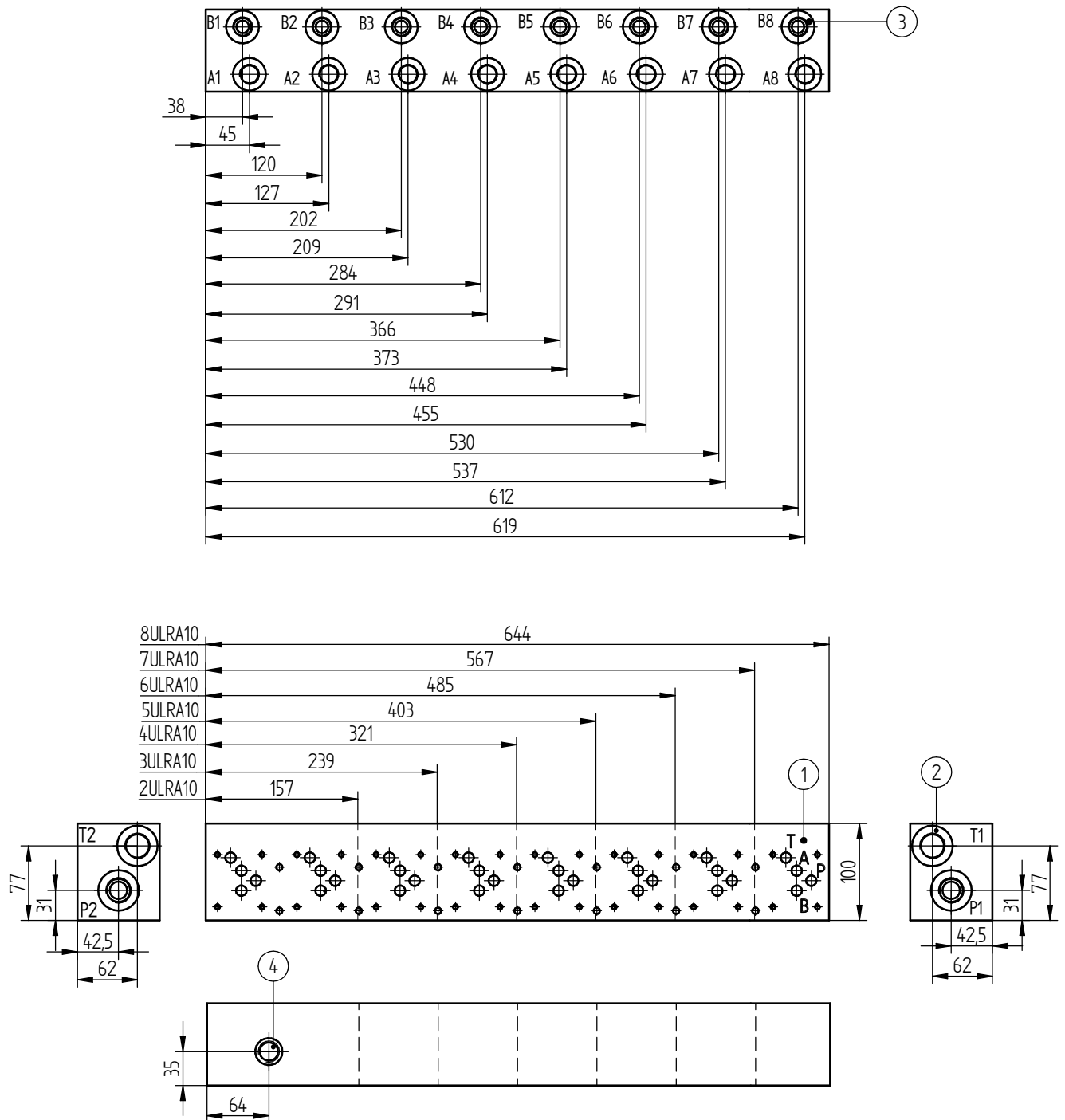
### EXAMPLE OF APPLICATION



## OVERALL AND CONNECTION DIMENSIONS

versions 2ULRA10... - 8ULRA10...

### dimensions and location of threaded connections

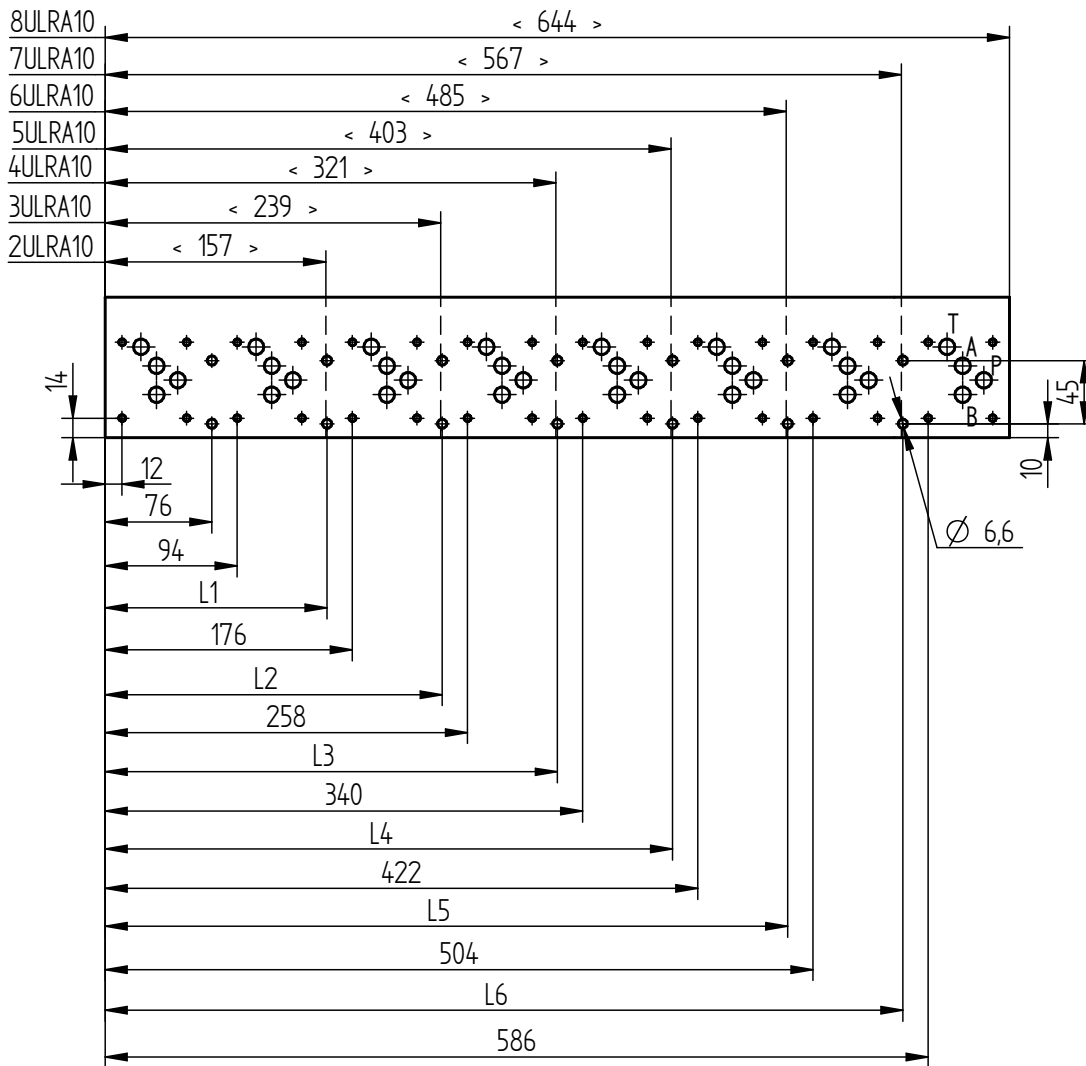


- connection surface for hydraulic elements, porting pattern of the manifold compliant with standards:
  - CETOP RP 121H nominal size CETOP 05
  - ISO 4401-05
- connection ports for plates: P1, T1, P2, T2, - G $\frac{3}{4}$
- connection ports for actuators: A1...A8, B1...B8 - G $\frac{1}{2}$
- ports for pressure relief valve UZPS6 acc. to data sheet WK 492 860 - only for version ...ULRA10-...Z...

## OVERALL AND CONNECTION DIMENSIONS

version 2ULRA10... - 8ULRA10...

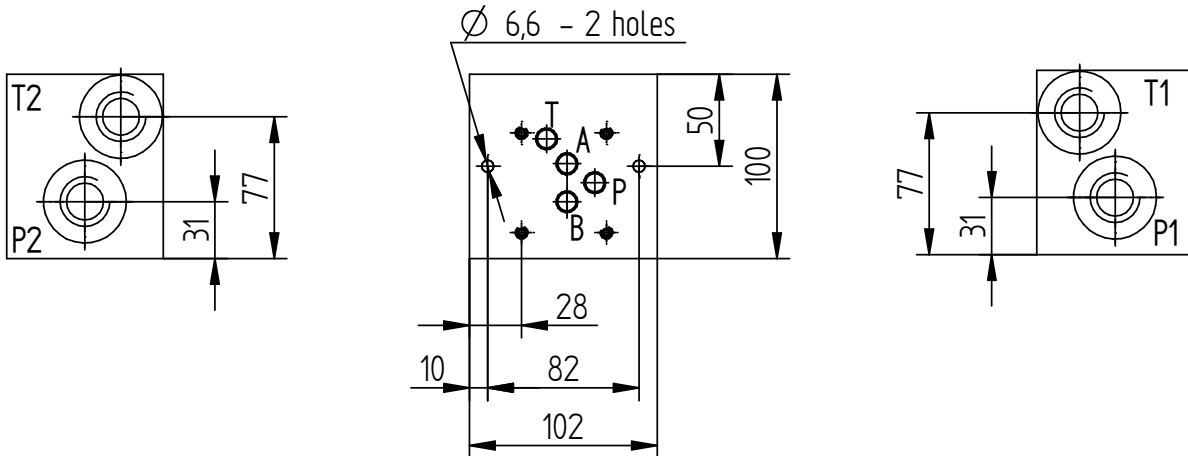
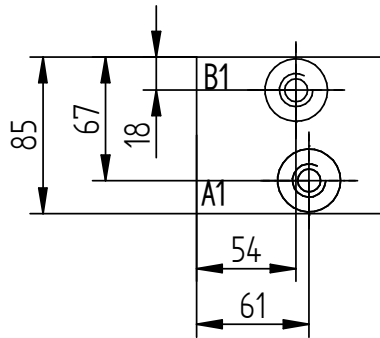
connection surface for hydraulic elements



manifold version	location of the mounting holes					
	L1	L2	L3	L4	L5	L6
2ULRA10...						
3ULRA10...	158					
4ULRA10...	-	240				
5ULRA10...	-	-	322			
6ULRA10...	-	240	-	404		
7ULRA10...	-	240	322	-	486	
8ULRA10...	-	240	-	404	-	568

## OVERALL AND CONNECTION DIMENSIONS

version 1ULRA10...

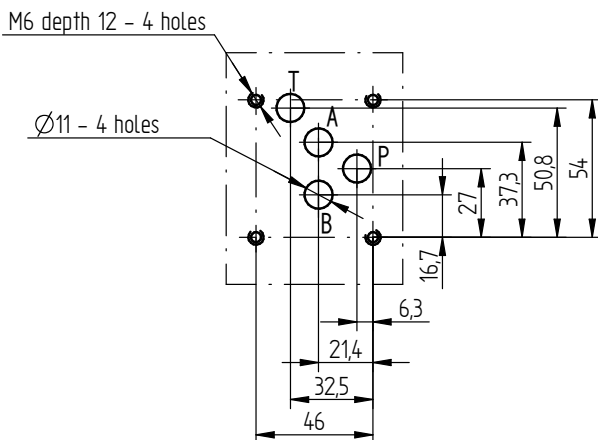


1. connection surface for hydraulic elements, porting pattern of the manifold compliant with standards:
  - CETOP RP 121H nominal size CETOP 05
  - ISO 4401-05
2. connection ports for plates: P1, T1, P2, T2 - G<sup>3</sup>/<sub>4</sub>
3. connection ports for actuators: A1...A8, B1...B8 - G<sup>1</sup>/<sub>2</sub>
4. ports for pressure relief valve UZPS6 acc. to data sheet WK 492 860 - only for versions...ULRA10-...Z...

### hydraulic elements connection

porting pattern compliant with standards:

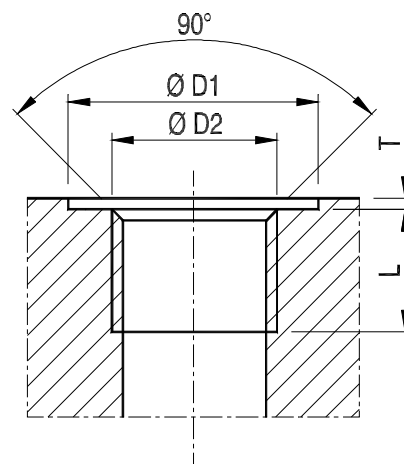
- CETOP RP 121H - designation CETOP 4.2-4-05 (WN CETOP 05)
- ISO 4401-05 - designation ISO 4401-05-04-0-94



### hydraulic elements connection

connection ports for plates: P1, T1, P2, T2 - G<sup>3</sup>/<sub>4</sub>

connection ports for actuators: A1...A10, B1...B8 - G<sup>1</sup>/<sub>2</sub>

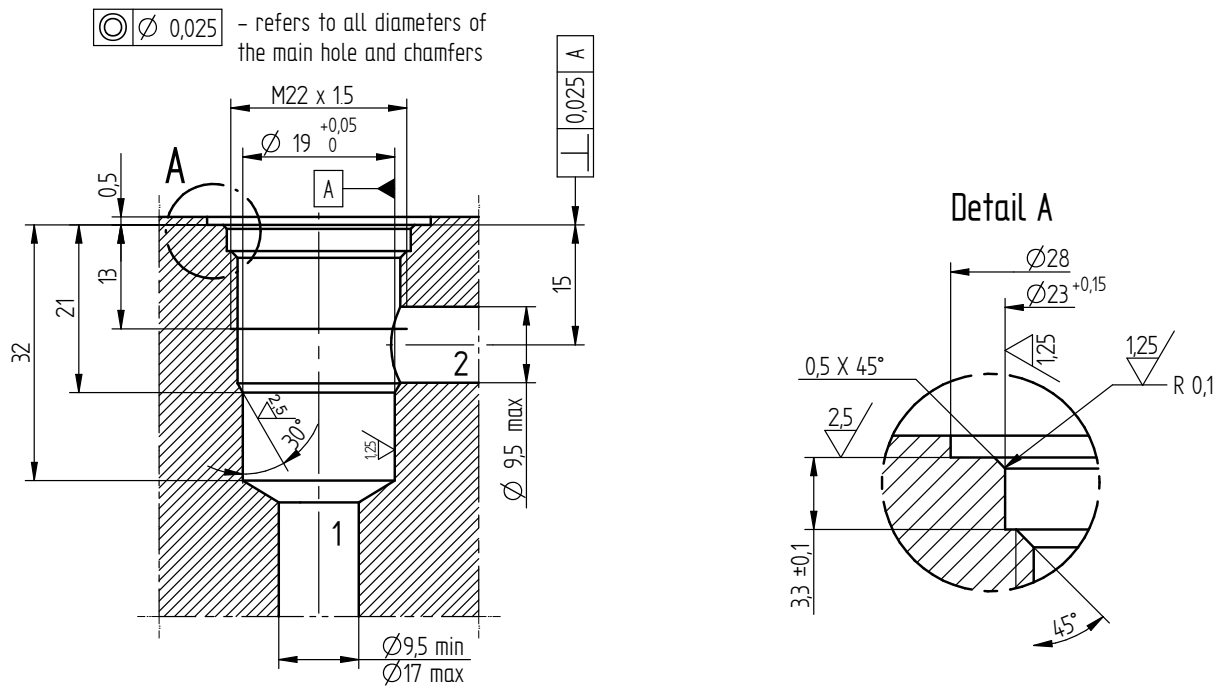


connection port	dimension			
	Ø D2	L	Ø D1	T
A1...A8, B1...B8	G <sup>1</sup> / <sub>2</sub>	14	34	1
P1, P2, T1, T2	G <sup>3</sup> / <sub>4</sub>	16	45	1

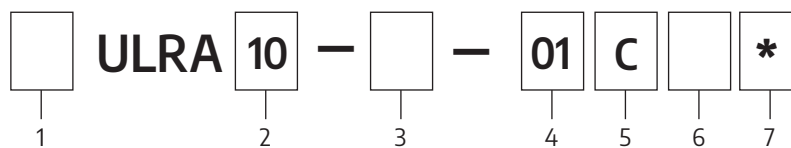
## OVERALL AND CONNECTION DIMENSIONS

### pressure relief valve cavity dimensions

nominal size **M-06-2** (only for version ...ULRA10--Z...)



## HOW TO ORDER



### 1 number of elements

for 1 element =	1
for 2 elements =	2
for 3 elements =	3
for 4 elements =	4
for 5 elements =	5
for 6 elements =	6
for 7 elements =	7
for 8 elements =	8

### 2 nominal size (NS)

NS10 =	10
--------	----

### 3 series number

series 12=	12
(10-19) connection and installation dimensions unchanged	

### 4 thread type of connection ports (P1, T1, P2, T2)

G 3/4 =	01
---------	----

### 5 thread types of connection ports of actuators (A1...A8, B1...B8)

G 1/2 =	C
---------	---

### 6 pressure relief valve cavity (type UZPS6...\*)

without pressure relief valve cavity =	Ø
with pressure relief valve cavity =	Z

### 7 further requirements = \*

(agreed upon with the Manufacturer)

\* - pressure relief valve UZPS6...(data sheet WK492 860) delivered on separate order

Ø indicates that the box should be left blank. The **symbols in bold** are the preferred versions available in short delivery time

Coding example: **8ULRA10-12-01C**

## CONTACT

PONAR Wadowice S.A.  
ul. Wojska Polskiego 29  
34-100 Wadowice

tel. +48 33 488 21 00  
[www.ponar-wadowice.pl](http://www.ponar-wadowice.pl)