



Product Tech News

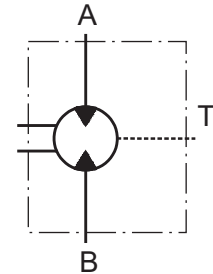
Hydraulic motors type MAP46

Heavy duty axial piston fixed displacement motor



APPLICATION

- Conveyors
- Metal working machines
- Machines for agriculture
- Road building machines
- Mining machinery
- Food industries
- Special vehicles
- Plastic and rubber machinery etc.



drain line always should be open

OPTIONS

- Swash plate
- Flange mount
- Side ports
- Shafts- splined
- High pressure ports

EXCELLENCE

- High starting torque
- Smooth low - speed operation
- Compact design
- Long service life
- High power density

SPECIFICATION DATA

Type		MAP 35	MAP 40	MAP 46
Displacement, cm. ³ /rev. [in. ³ /rev.]		36.16 [2.21]	41.59 [2.54]	47.13 [2.88]
Max. Speed, [RPM]	Cont.	4000	4000	4000
	Int*	4500	4500	4500
Max. Torque, Nm [lb-in]	Cont.	202 [1789]	232 [2053]	263 [2328]
	Int**	242 [2142]	278 [2460]	315 [2788]
Output, kW [HP]	Cont.	58 [78]	67 [90]	76 [102]
	Int**	84 [113]	97 [130]	110 [148]
Max. Pressure bar [PSI]	Cont.	350 [5080]	350 [5080]	350 [5080]
	Int**	420 [6100]	420 [6100]	420 [6100]
Max. Oil Flow, lpm [GPM]	Cont.	145 [38.3]	167 [44.1]	189 [50]
	Int*	163 [43.1]	187 [49.4]	212 [56]
Permissible shaft load daN [lb]		axial Fa=200 [450], radial on request		
Min. speed [RPM]		500		
Max. Pressure in Drain Line, bar [PSI]		5 [70]		
Weight kg [lb]		17.8 [39.2]		

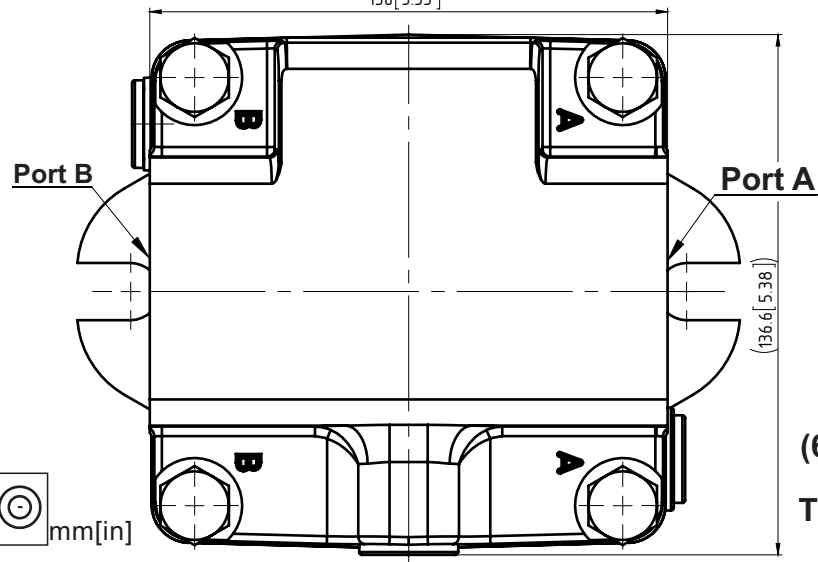
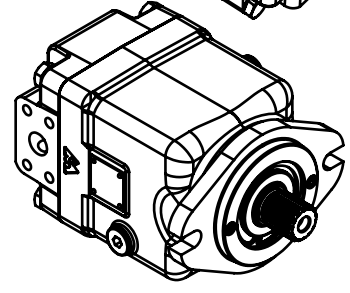
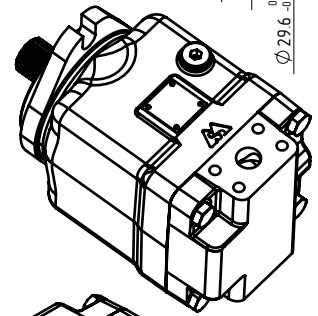
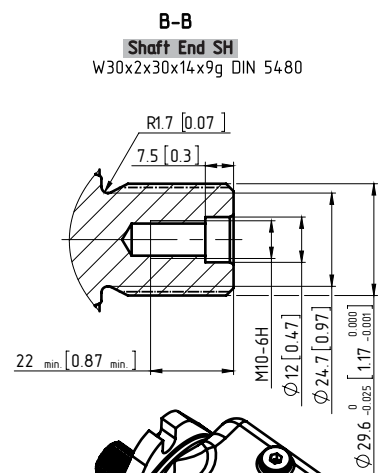
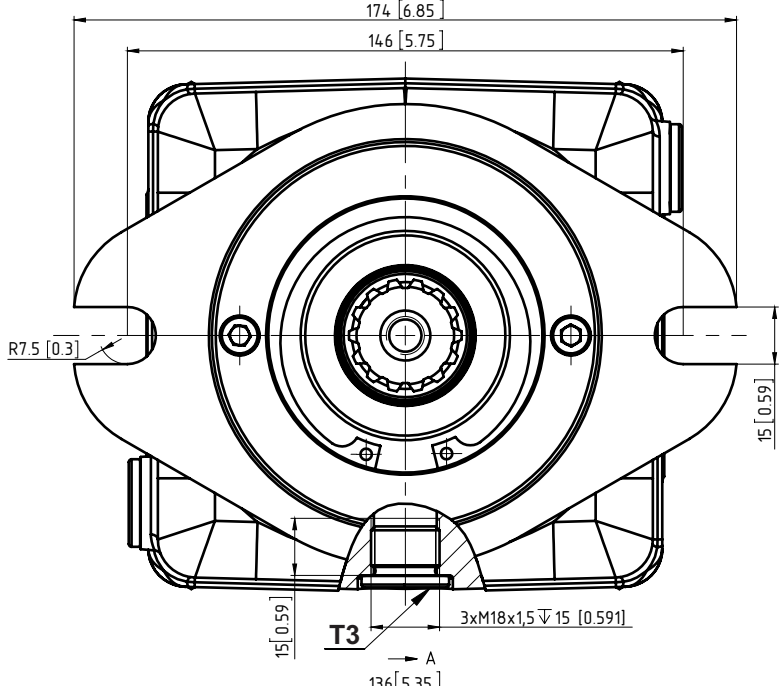
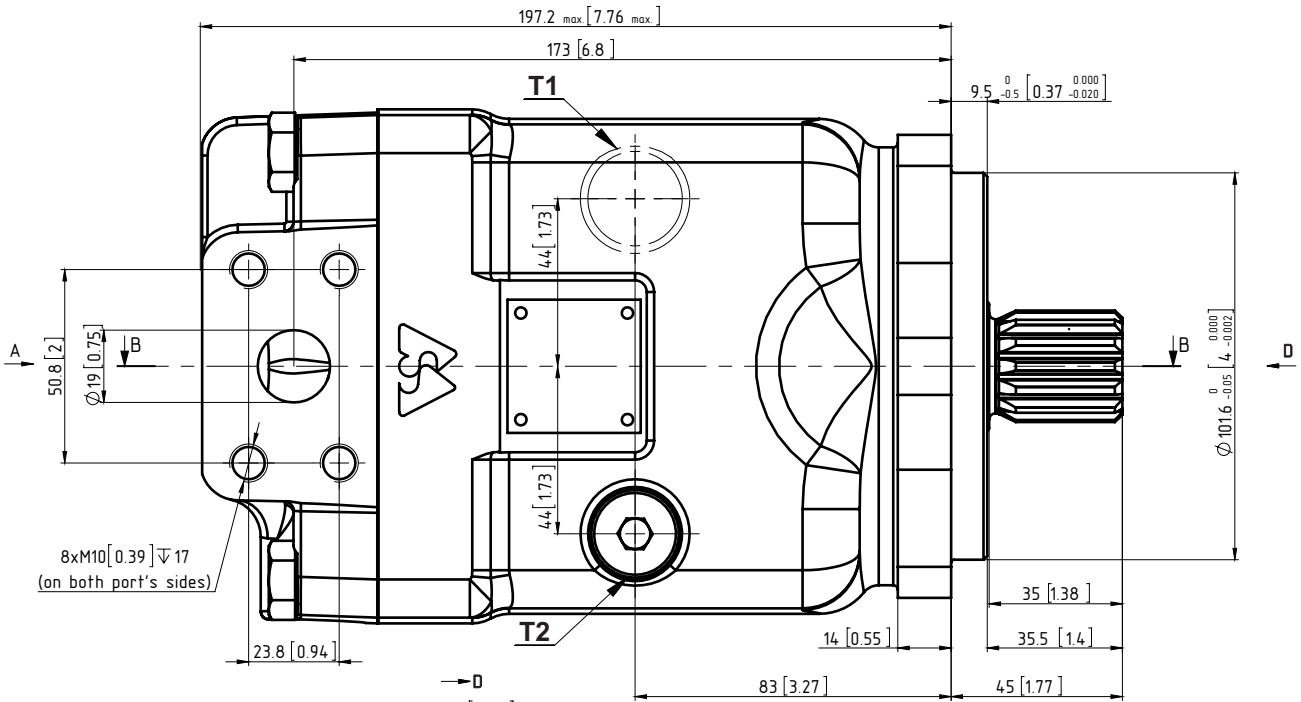
* Intermittent speed (flow) is for pressure up to 150[2200] bar[PSI].

** Intermittent load: the permissible values may occur for max. 10% of every minute.

1. For continuous operations continuous the recommended output power should not be exceeded.
2. Recommended filtration is per ISO 4406 cleanliness code 18/16/13 or better. This filtration corresponds to SAE AS 4059 8A/7B/7C. A nominal filtration 10 micron or better.
3. Recommend using of a premium quality, anti-wear type mineral based hydraulic oil, HLP(DIN51524) or HM(ISO6743/4).
4. Recommended oil viscosity 15...30 cSt or less.
5. Recommended maximum system operating temperature is 180°F [82°C].
6. To ensure optimum motor life fill with fluid prior to loading and run at moderate load and speed for 10-15 minutes.

DIMENSIONS - MAP

SAE B 2-Bolt flange,
spigot diameter 101,6 mm [4 in] - BC 146 mm [5.75 in]



Connections

Port A,B SAE 3/4 in - Metric
(6000 psi) high pressure series

T1,T2,T3 Drain or oil filling port
M18x1,5 with 15 [0,591] deep

ORDER CODE

	1	2	3	4	5	6	7	8	9	10	11	12	13	14	15
M A P														/	

Pos.1 - Mounting Flange

B - SAE B - 2-Bolt flange
spigot diam. 101,6 mm [4 in] - BC 146 mm [5.75 in]

Pos.2 - Port type

omit - Side ports on opposite sides

T * - Twin (Two) side ports on one side

E * - Rear ports

Pos.3 - Displacement code

35 - 36.16 cm.³/rev. [2.21 in.³/rev.]

40 - 41.59 cm.³/rev. [2.54 in.³/rev.]

46 - 47.13 cm.³/rev. [2.88 in.³/rev.]

Pos.4 - Shaft Extensions

SH - ø30mm [1.18 in] spline, metric version
W30x2x30x14x9g DIN 5480

SD* - ø22,225mm [ø7/8 in] spline, metric version
13T Splined ANSI B92.1-1970, 16/32

SF* - ø25,4mm [ø1 in] spline, metric version
15T Splined ANSI B92.1-1970, 16/32

CS* - ø32mm [1,29 in] straight, par. key A10x8x45

KR* - ø35mm [1,378 in] tapered 1:10, par. key B6x6x20

Pos.5 - Improve radial loads

omit - Standard bearing

N * - Heavy duty bearing

Pos.6 - Ports

omit - 2xSAE 3/4 in PSI6000, metric, M18x1,5

2 * - 2xG3/4, G1/2

3 * - 2xM27x2, M18x1,5

4 * - 2x7/8-12 UNF Ports, 3/4-16 UNF

5 - 2xSAE 3/4 in PSI6000, 3/4-16 UNF

6 * - 2x1¹/₁₆-12 UN, 7/8-12 UNF

Pos.7 - Shaft Seal, corrosion resistant seal surface

omit - NBR seal type material

V - FKM seal type material

C* - Corrosion resistant bushing with NBR seal

VC* - Corrosion resistant bushing with FKM seal

Pos.8 - Integrated valves

omit - none

DR* - Dual crossover relief Valve

PR* - Single crossover relief Valve

FL* - Flush Valve

PU* - Purge Valve

Pos.9 - Pressure setting of Integrated valves

omit - none

250* - 250 bars

Pos.10 - Flow setting of Integrated valves

omit - none

L5* - 5 liter/min

Pos.11 - Special Features

omit - none

T* - Tacho connection

RS* - Speed Sensor

R2S* - Speed Sensor Two directional

Pos.12 - Type of Speed Sensor

omit - none

(P)* - PNP type of RS sensor without cable

(N)* - NPN type of RS sensor without cable

(P1)* - PNP type with cable's length 1 meter

(P5)* - PNP type with cable's length 5 meters

(N1)* - NPN type with cable's length 1 meter

(N5)* - NPN type with cable's length 5 meters

Pos.13 - Paint and Coating

omit - no Paint or Coating

P** - Painted

PC** - Corrosion Protected Paint

Ni* - Nickle Coating

Cr* - Chrome Coating

Pos.14 - Special unit

omit - none

We are open for modification upon your request.

Pos.15 - Design Series

omit - Factory specified

*Under development

**Color at customer's request

The hydraulic motors are mangano phosphatized as standard.



SCAN ME

The information placed at your disposal in this brochure can be changed without any notification.

Please be sure that your copy is the newest one.

M+S HYDRAULIC

68, Kozloduy St., 6100 Kazanlak, Bulgaria

Tel.: ++359 431 65167

Fax: +359 431 64114

E-Mail: msh@ms-hydraulic.com

version 2.3