

APPLICATION

Plates type 2UL06 ... are housings that make assembly of cartridge valves possible.

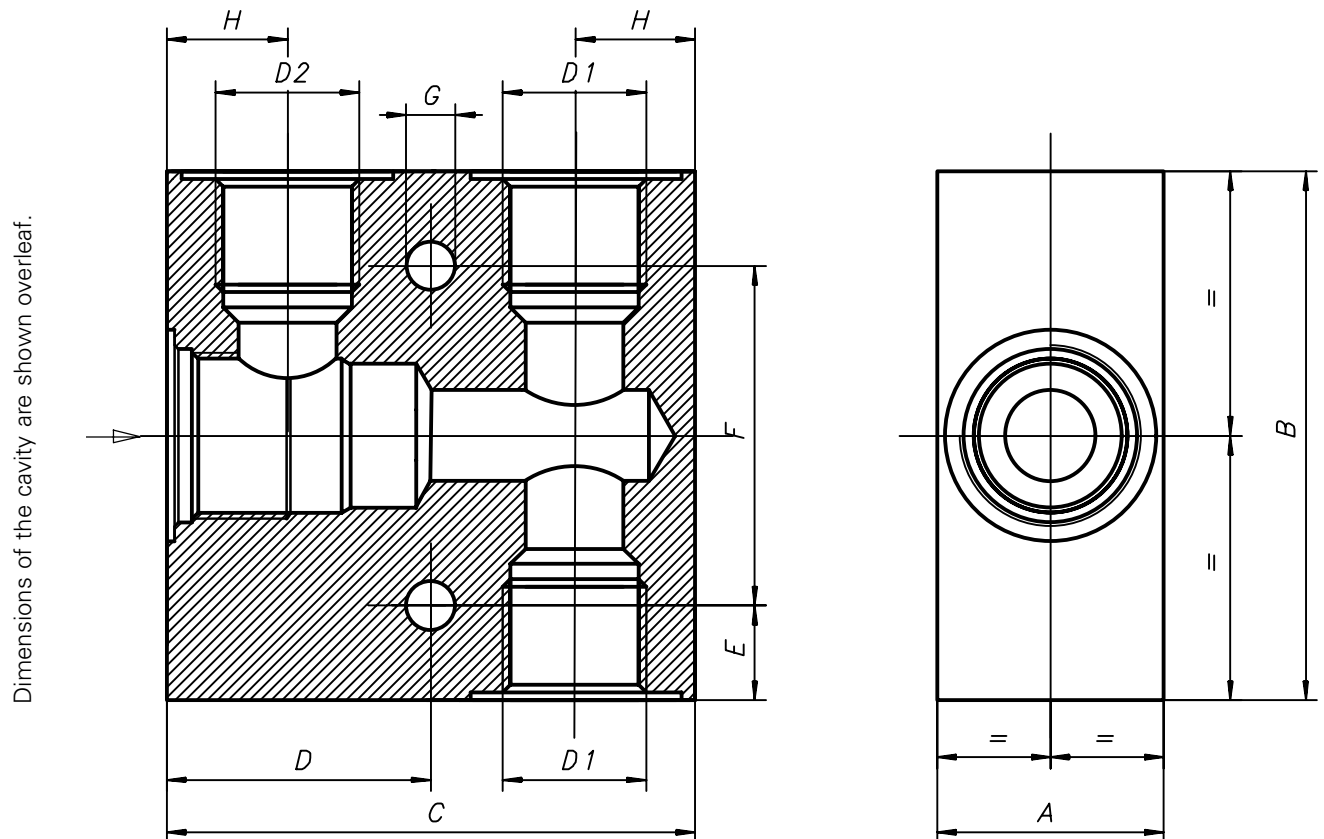
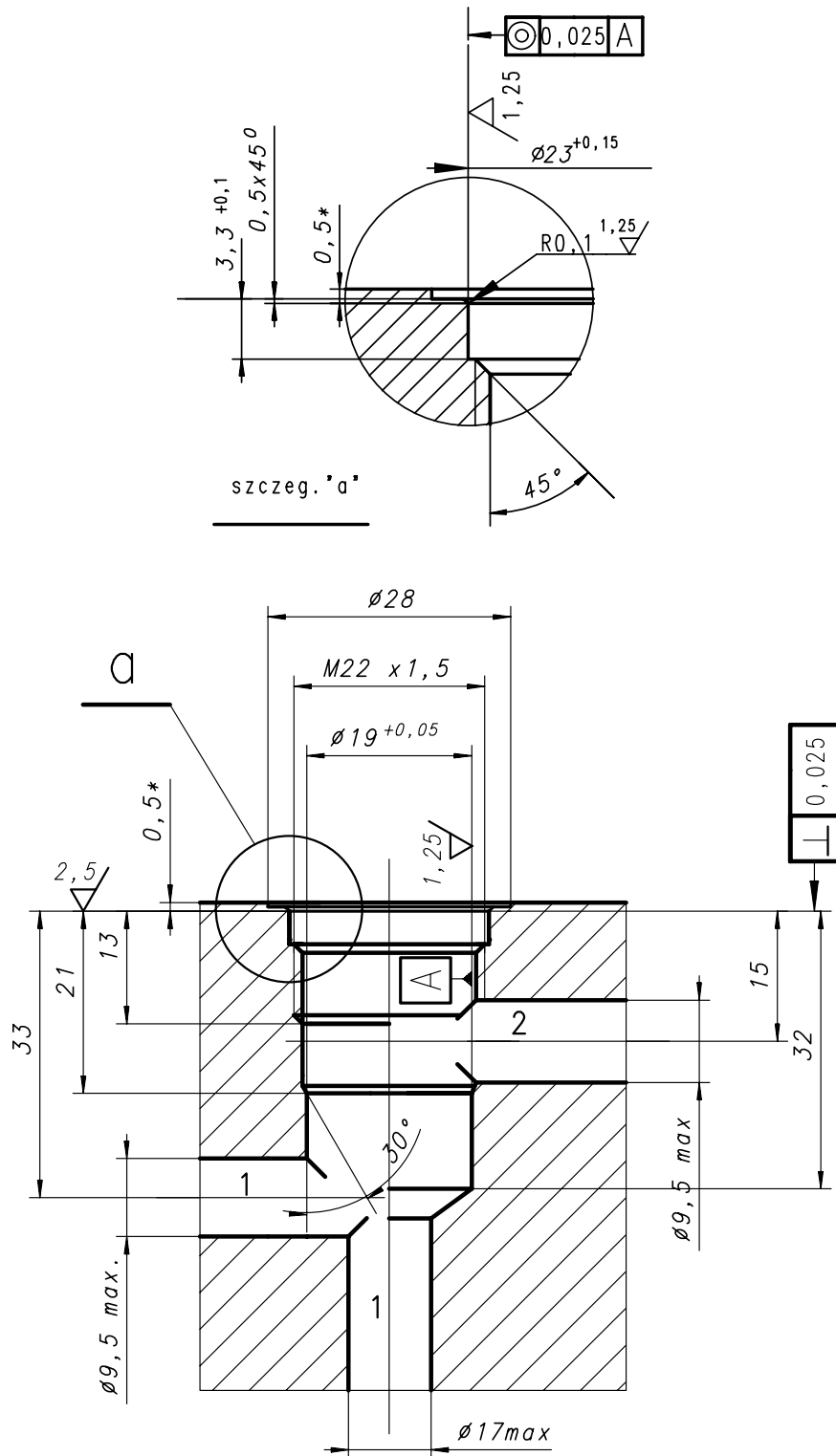


Plate UL 06/3

DIMENSIONS TABLE

Order number	D1	D2	A	B	C	D	E	F	G	H	Weight	Material
2UL06/3 - G2	G ^{3/8"}	G ^{3/8"}	30	60	70	50	7,5	45	φ 6,5	16	0,260 kg	Aluminium
2UL06/3 - G3	G ^{1/2"}	G ^{1/2"}	35	70	70	50	12,5	45	φ 6,5	16	0,370 kg	Aluminium
2UL06/3 - M2	M16x1,5	M16x1,5	30	70	70	35	7,5	55	φ 6,5	16	0,370 kg	Aluminium

OVERALL AND MOUNTING DIMENSIONS FOR VALVE CAVITY.



PONAR WADOWICE S.A.
 ul. Wojska Polskiego 29
 34-100 Wadowice
 tel. 033/ 823 39 43, 823 30 41
 fax 033/ 873 48 80
 e-mail: ponar@ponar-wadowice.pl

