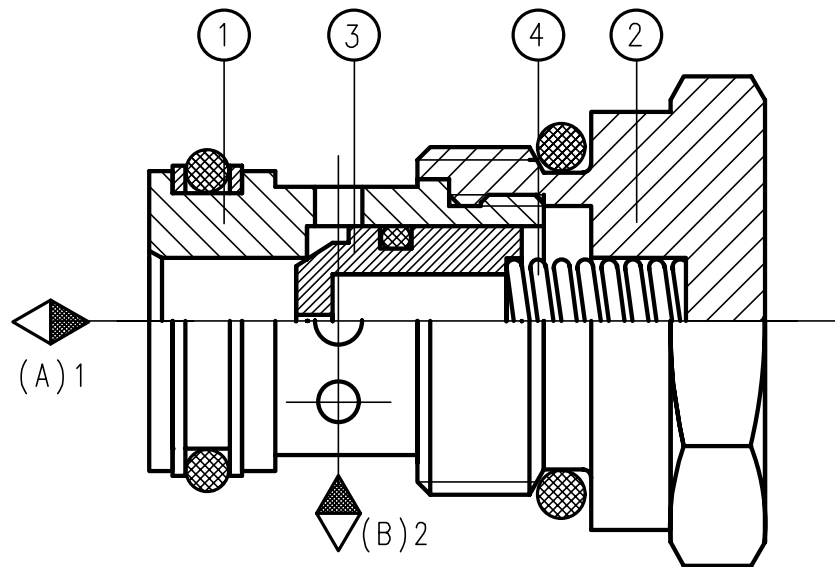


APPLICATION

These cartridge check valves allow flow at low pressure drop with cracking pressure from 1 to 5 bar in the free flow direction and close to prevent flow in the reverse direction.



DESCRIPTION OF OPERATION

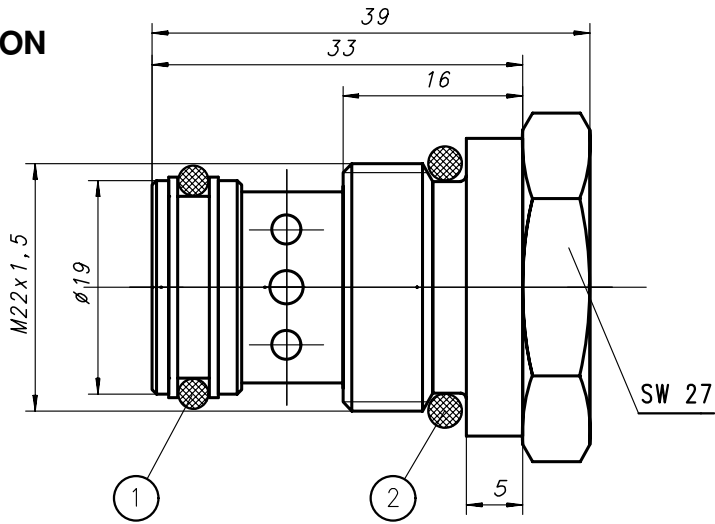
In the check valve type UZZD 6 the closing element is a poppet (3) pushed on the seat in the sleeve (1) by spring (4). Flowing through the valve in the direction A to B fluid lifts the poppet from its seat and permits free flow.

Cracking pressure depends on initial spring tension (4). In the opposite direction B to A the spring (4) and the fluid push the poppet (3) onto the seat and close the connection without leakage. For version B direction of free flow is opposite (from B to A).

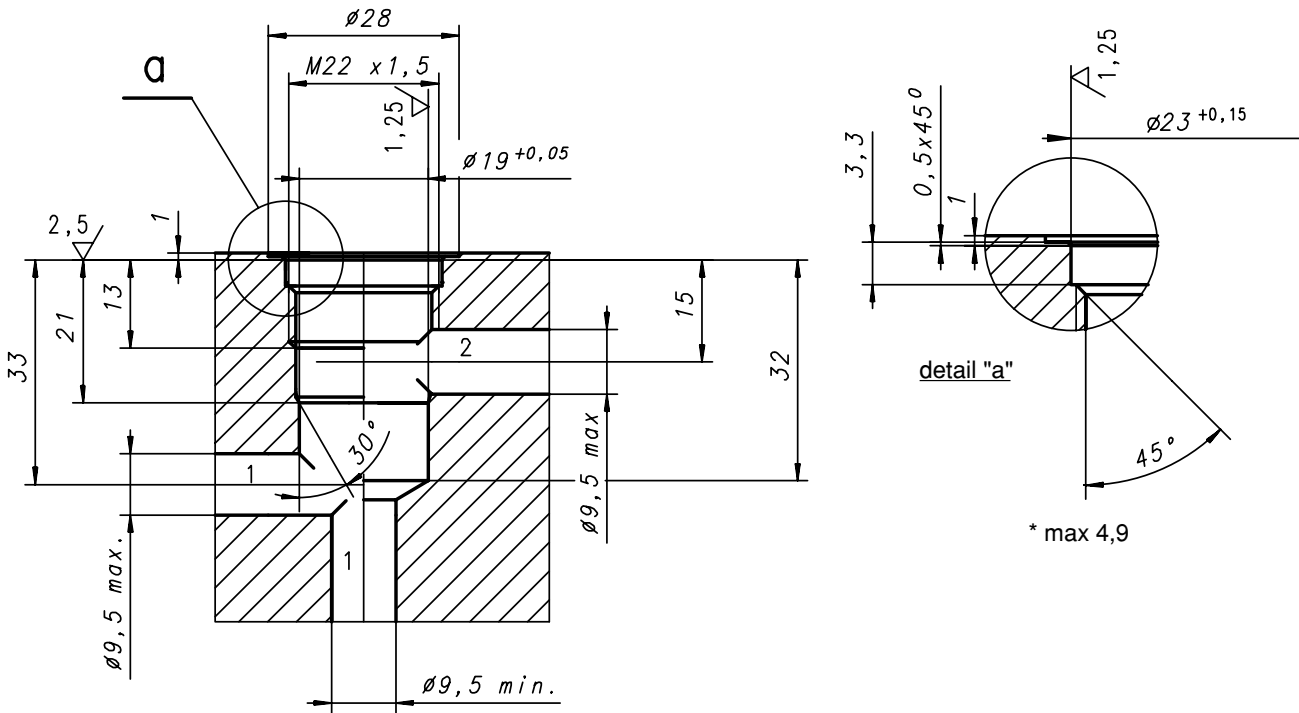
TECHNICAL DATA

Working fluid	Mineral oil
Nominal fluid viscosity	37 mm ² /s at temperature 55 °C
Viscosity range	2,8 up to 380 mm ² /s
Optimum working temperature range	40 °C up to 55 °C
Fluid temperature range	-20 °C up to +70 °C
Required fluid filtration	16 μm
Recommended fluid filtration	10 μm
Max working pressure	31,5 MPa
Cracking pressure	up to 0,15 MPa
Weight	~ 0,1 kg

OVERALL AND CONNECTION DIMENSIONS



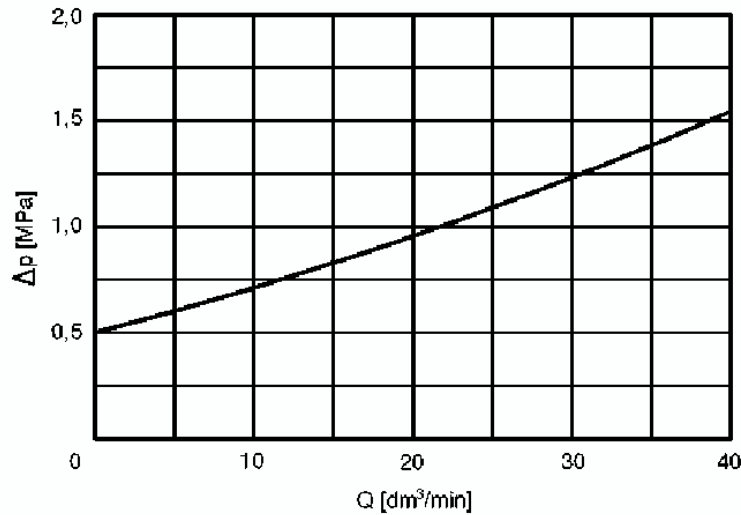
pos.1 "O-ring" 15,6 x 1,78 - pcs 1
 pos.2 "O-ring" 18 x 2,65 - pcs 1



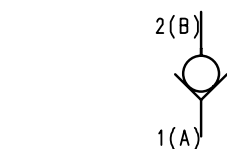
Dimensions of cavity.
 Tightening torque of cartridge valve - 80Nm
 Mounting position-unrestricted

PERFORMANCE CURVES measured at viscosity $\nu = 41 \text{ mm}^2/\text{s}$ and temperature $t = 50 \text{ }^\circ\text{C}$

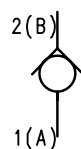
Flow curve



SYMBOL



UZZD 6 A ...



UZZD 6 B ...

HOW TO ORDER

Orders coded in the way showed below should be forwarded to the manufacturer

UZZD 6

/ - M 1

*

Direction of flow

Flow from 1 to 2

= A

Flow from 2 to 1

= B

Series number

(20-29) - connection and installation dimensions unchanged

= 2X

series 20

= 20

Cracking pressure

0,1 MPa (only for valve ...A...)

= 10

0,15 MPa (only for valve ...A...)

= 15

0,3 MPa

= 30

0,5 MPa

= 50

Kind of cavity

Cavity M22x1,5

= M1

Sealing

NBR (for fluids on mineral oil base)

= **no designation**

FKM (for fluids on phosphate ester base)

= V

Further requirements to be added in text (to agree with the manufacturer)

NOTE:

The symbols in bold are preferred versions in short delivery time.

Coding example: UZZD6 A 20/10 M1

PONAR Wadowice S.A.
ul. Wojska Polskiego 29
34-100 Wadowice
tel. +48 33 488 21 00
fax. +48 33 488 21 03
www.ponar-wadowice.pl

