

Check valves type UZZB 10 are used to close hydraulic fluid flow in one direction and allow free flow in the opposite direction.

The valves are for subplate mounting and can be installed in systems in any positions together with a connection plate.

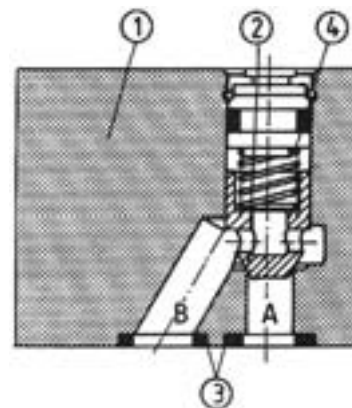
Sealing of interfaces is provided by O-rings which are included.



DESCRIPTION OF OPERATION

In the check valve type UZZB 10 the closing element is a poppet 2 pushed on to the seat in the housing 1. Flowing through the valve in the direction A to B fluid lifts the poppet from its seat and permits free flow. Cracking pressure depends on initial spring tension.

In the opposite direction B to A the spring and the fluid push the poppet on to the seat and close the connection without leakage.

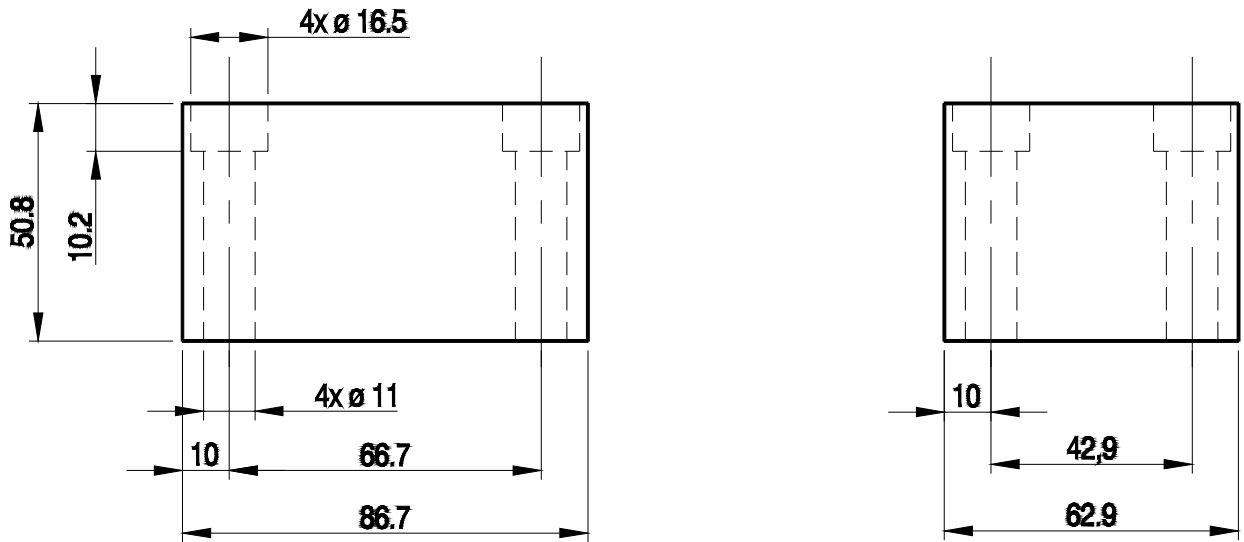


Item 3 - O-ring 16 × 3 - 2 pieces

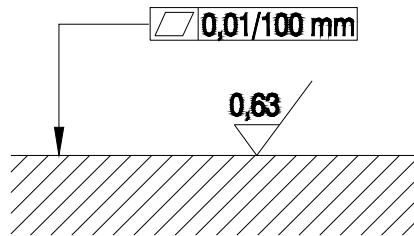
TECHNICAL DATA

Hydraulic fluid	Mineral oil or phosphate ester
Nominal fluid viscosity	37 mm ² /s at the temperature of 328 K
Viscosity range	2.8 to 380 mm ² /s
Optimum working temperature (fluid in a tank)	313 - 328 K
Fluid temperature range	243 - 343 K
Required fluid filtration	16 μm
Recommended fluid filtration	10 μm
Maximum working pressure	31.5 MPa
Cracking pressure	0.05; 0.1; 0.15 ; 0.3 MPa
Weight	1.7 kg

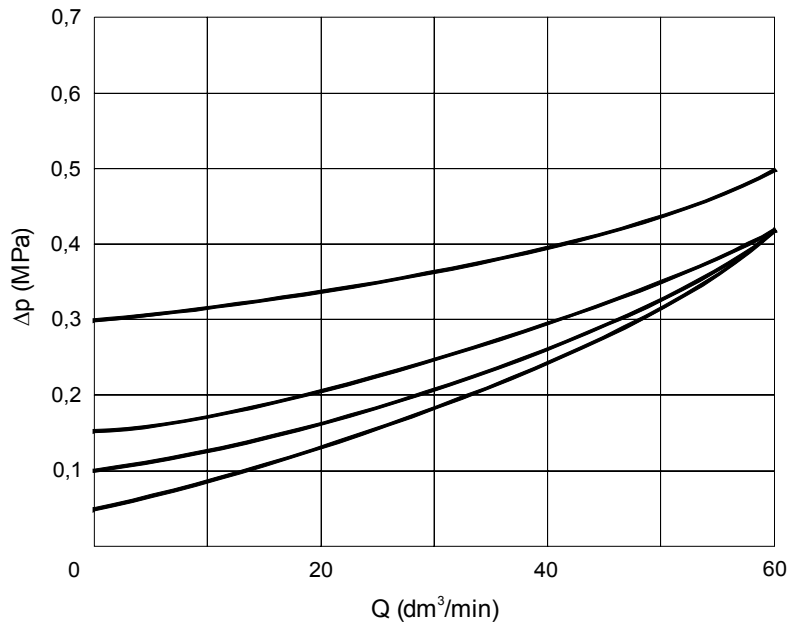
OVERALL DIMENSIONS



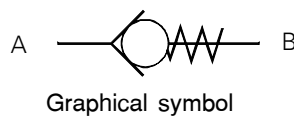
Admissible surface roughness and flatness deviation for a subplate face.



PERFORMANCE CURVES, measured at $v = 41 \text{ mm}^2/\text{s}$ and $T = 323 \text{ K}$

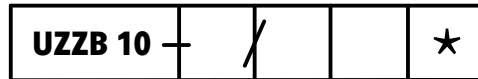


SCHEME



HOW TO ORDER

Orders coded in the way below should be forwarded to the manufacturer.



Series number

(20-29) - connection and installation dimensions unchanged = 2X
series 20 = **20**

Further requirements in clear text
 (to be agreed with the manufacturer)

Cracking pressure

0 MPa (without spring) = 00
0,05 MPa = **05**
 0,10 MPa = 10
 0,15 MPa = 15
 0,30 MPa = 30

Sealing

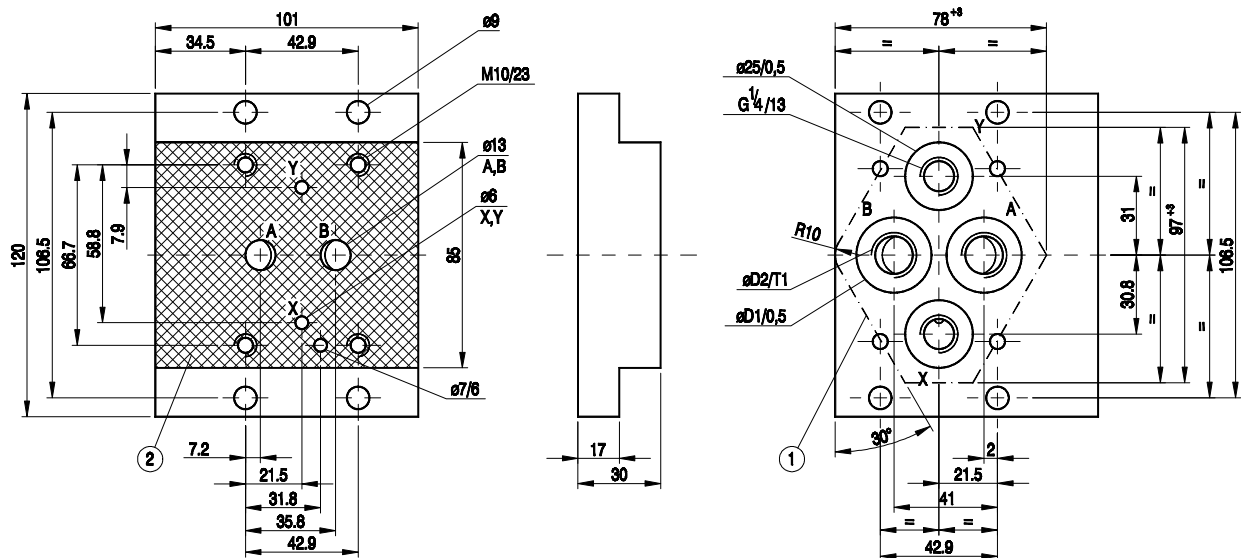
NBR (for fluids on mineral oil base) = **no designation**
 FKM (for fluids on phosphate ester base) = V

NOTES:

The symbols in bold are preferred versions in short delivery time.

Coding example: UZZB 10 - 20/05

CONNECTION DIMENSIONS FOR A SUBPLATE



1 - Recess in subplate face

2 - Connection face

Valve	Subplate	D1	D2	T1	Bolts mounting the valve to subplate	Torque [Nm]	Weight [kg]
Size 10	G 460/01	28	G 3/8	13	4 x M10 x 50 - 10.9 PN - 87/M-82302 (DIN 912)	73	1.7
	G 461/01	34	G 1/2	15			

PONAR Wadowice S.A.
ul. Wojska Polskiego 29
34-100 Wadowice
tel. +48 33 488 29 00
fax. +48 33 488 21 03
www.ponar-wadowice.pl

