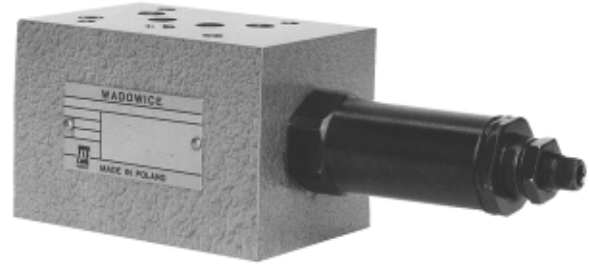
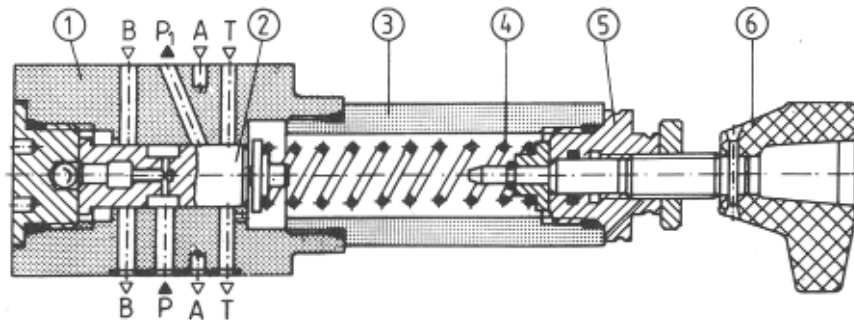


The function of pressure sequence valves, sandwich plate design, type UZKC 6 is to sequencing control of hydraulic system pressure. They may also be used as direct operated relief valves.



DESCRIPTION OF OPERATION



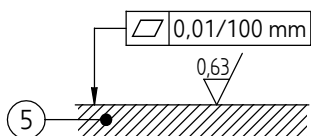
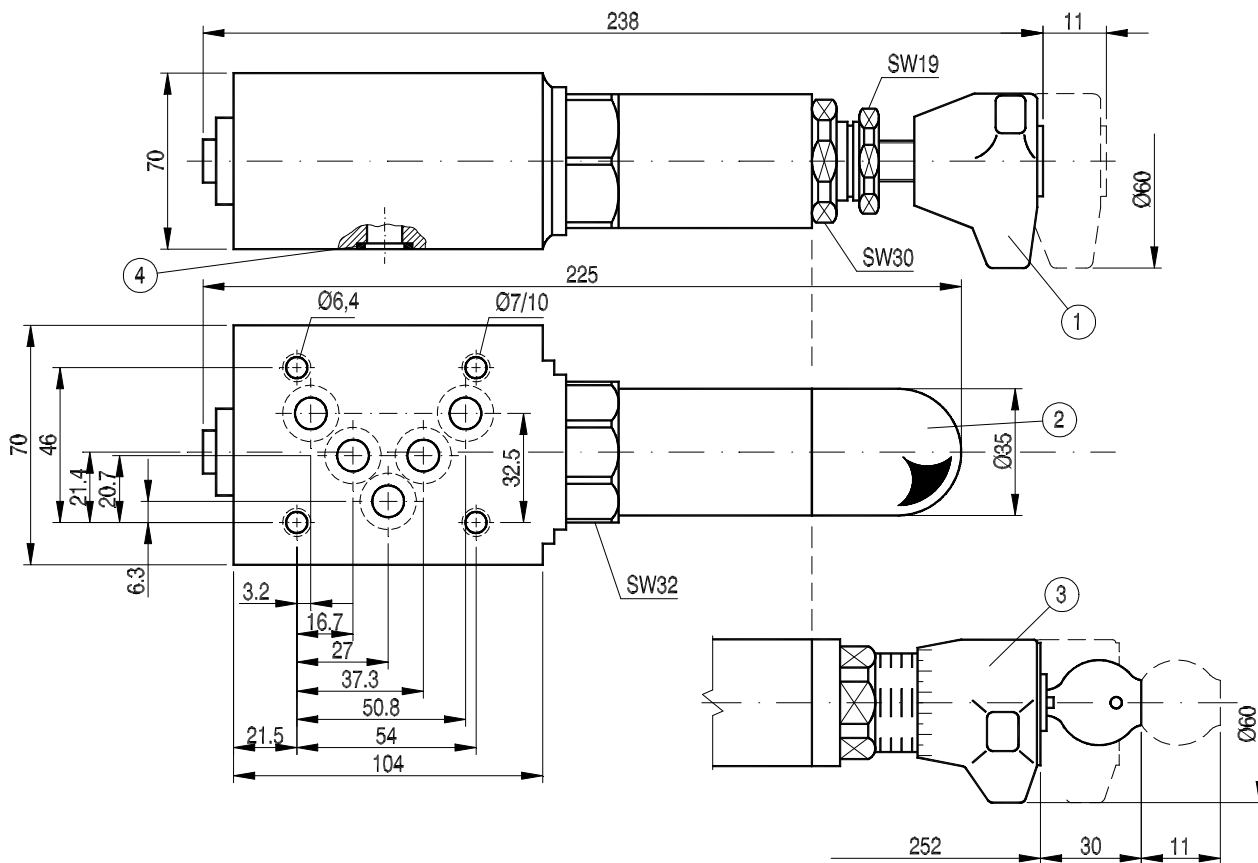
Pressure sequence valve type UZKC 10 consists mainly of the housing 1, spool 2, bush 3, spring 4 and adjustment 5. Pressure from port P affects the spool 2 from one side and force of the spring 4 from the other side. If control pressure exceeds the value set at the

spring, the spool moves and opens flow to port P1. The spring force is set manually by means of the hand knob 6 of the adjustment 5. Hydraulic system connected to P1 is now connected to P without any pressure drop in this port.

TECHNICAL DATA

Hydraulic fluid	Mineral oil or phosphate ester
Nominal fluid viscosity	37 mm ² /s at the temperature of 328 K
Viscosity range	2.8 to 380 mm ² /s
Optimum working temperature (fluid in a tank)	313 - 328 K
Fluid temperature range	243 - 343 K
Required fluid filtration	16 μm
Recommended fluid filtration	10 μm
Maximum pressure in ports A, B, P	31.5 MPa
Maximum pressure setting in port A or P (while in port T = 0 MPa)	21 MPa
Maximum pressure in port T	1.5 MPa
Weight	~ 3 kg

OVERALL AND CONNECTION DIMENSIONS



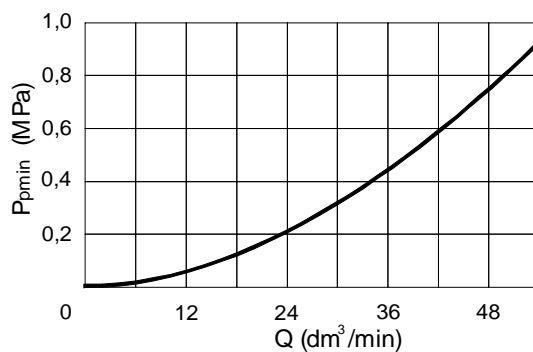
- 1 - Adjustment element 1 (hand knob)
- 2 - Adjustment element 2 (set screw with internal hexagon)
- 3 - Adjustment element 3 (lockable hand knob)
- 4 - O-ring 12 x 2 - 5 pcs/kit (P, TA, TB, A, B)
- 5 - Required surface finish of the mating subplate

PERFORMANCE CURVES

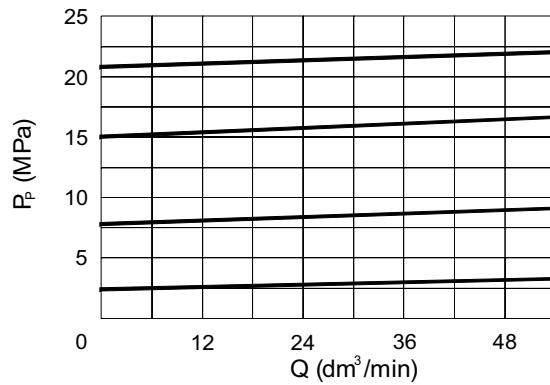
measured at viscosity $\nu = 41 \text{ mm}^2/\text{s}$ and temperature $t = 50^\circ\text{C}$

Minimum inlet pressure related to flow rate

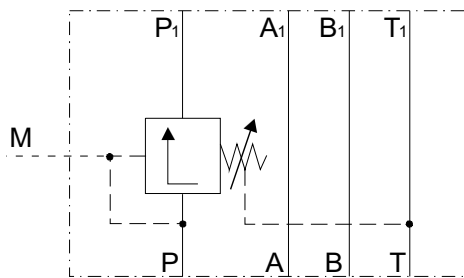
$$P_{p \text{ min}} = f(Q)$$



$p_p=f(Q)$ - Input pressure in relation to flow rate



HYDRAULIC SCHEMES



UZKC 10/ 23 - 75 - Y - 2 - P

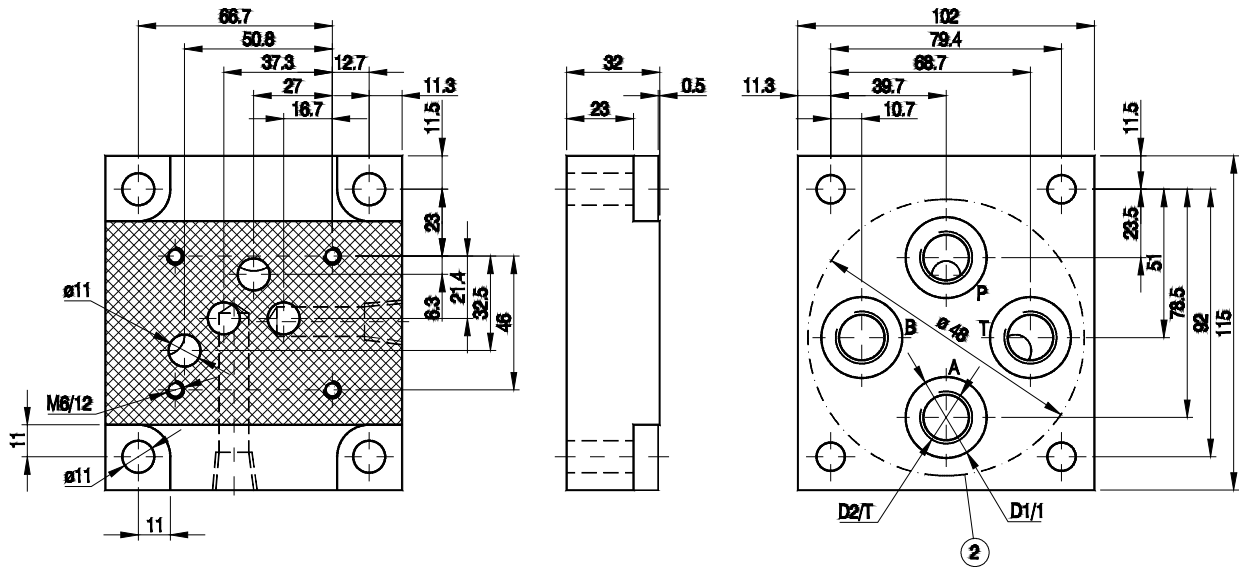
HOW TO ORDER

Orders coded in the way showed below should be forwarded to the manufacturer.

UZKC 10 / + + + + + *	
<p>Series number (20-29) - installation and connection dimensions unchanged = 2X series 23 = 23</p>	<p>Further requirements in clear text (to be agreed upon with the manufacturer)</p>
<p>Set pressure range up to 2.5 MPa = 25 up to 7.5 MPa = 75 up to 15 MPa = 150 up to 21 MPa = 210</p>	<p>Sealing Fluids on mineral oil base = with no code Fluids on phosphate-ester base = V</p>
<p>Pilot fluid supply and drain Internal supply, external drain = Y</p>	<p>Valve location Valve in line P = P</p>
<p>Adjustment method Hand knob = 1 Set screw = 2 Lockable hand knob = 3</p>	

Coding example: UZKC 10/ 23 - 75 - Y - 2 - P

CONNECTION DIMENSIONS FOR SUBPLATE



- 1 - Mounting face
- 2 - Recess in subplate

Type	D1	D2	T	Typ	D1	D2	T
G 89/ 01	25	G 1/ 4	12	G 89/ 02	24	M14 x 1,5	15
G 66/ 01	28	G 3/ 8	12	G 66/ 02	28	M16 x 1,5	15
G 67/ 01	34	G 1/ 2	14	G 67/ 02	36	M22 x 1,5	17

Weight of subplate 2,3 kg

Fixing the valve to the subplate by means of 4 bolts
 M6 x L - 10.9 PN-74/M-82302 (DIN 912 - 10.9) long
 according to the number of mounted components.
 Tightening torque - 47 Nm.
 Subplate and fixing bolts have to be ordered separately.

PONAR Wadowice S.A.
 ul. Wojska Polskiego 29
 34-100 Wadowice
 tel. +48 33 488 21 00
 fax. +48 33 488 21 03
www.ponar-wadowice.pl

