

DATA SHEET - SERVICE MANUAL

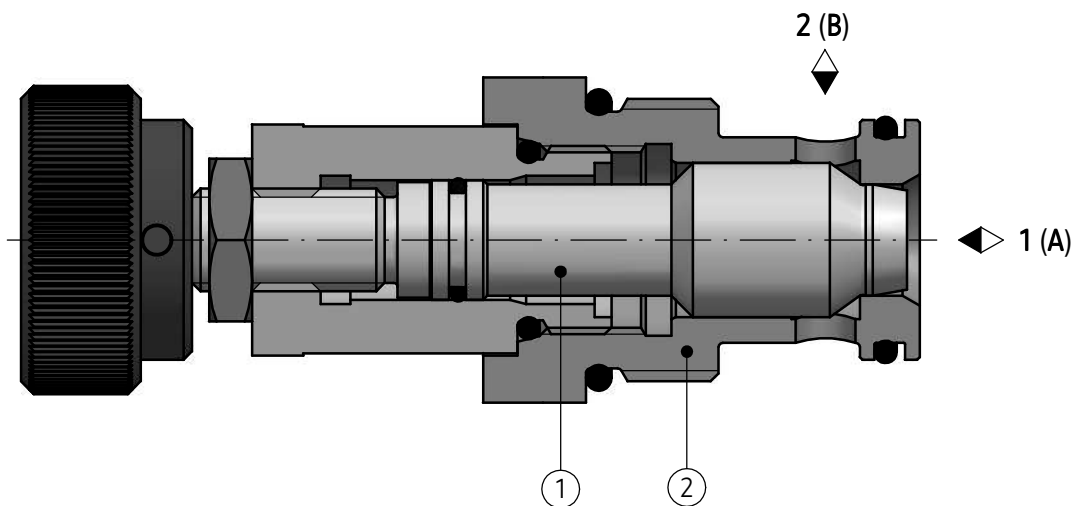
APPLICATION

Cartridges throttle valves type **UDDD10...** are used to adjusting (throttle) of flow rate. Flow rate is dependent on setting of gland, pressure difference in the place of throttle and fluid viscosity. Valves can be mounted in any position in special seat.



DESCRIPTION OF OPERATION

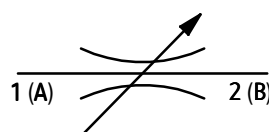
UDDD10 - 02/M1 - 1



Fluid flow from port **1 (A)** to **2 (B)** or (or reverse) is throttled in slot between adjusting pin (1), and edge of housing seat (2). Throttle rate depends on size of adjusted slot.

SCHEMES

Graphic symbol of valve type **UDDD10...**



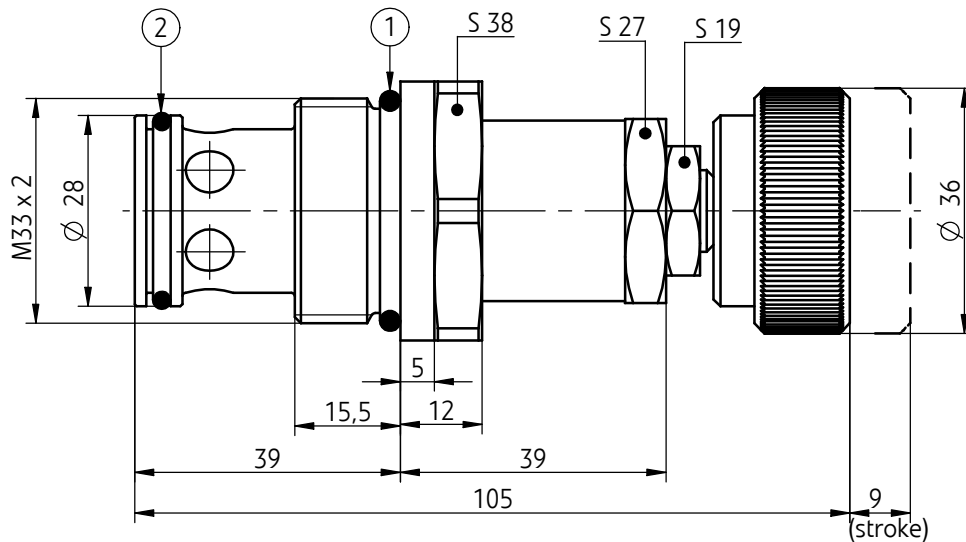
TECHNICAL DATA

Hydraulic fluid	mineral oil	
Required filtration	up to 16 μm	
Recommended filtration	up to 10 μm	
Nominal fluid viscosity	37 mm^2/s at temperature 55 °C	
Viscosity range	2,8 up to 380 mm^2/s	
Fluid temperature range (in a tank)	recommended	40°C up to 55°C
	max	-20°C up to +70°C
Ambient temperature range	-20°C up to +70°C	
Maximum operating pressure	31,5 MPa	
Weight	~ 0,2 kg	

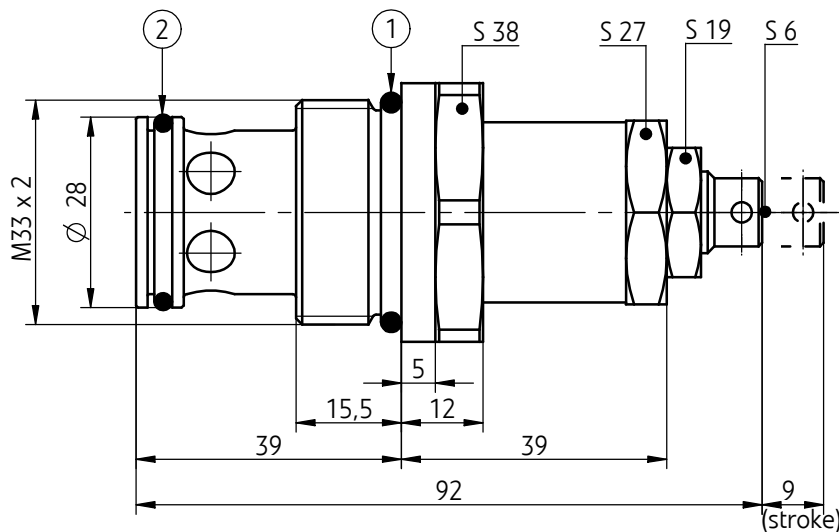
OVERALL AND CONNECTION DIMENSIONS

valve type UDDD10...

version UDDD10 - 02/M1 - 1



version UDDD10 - 02/M1 - 2

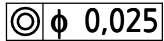


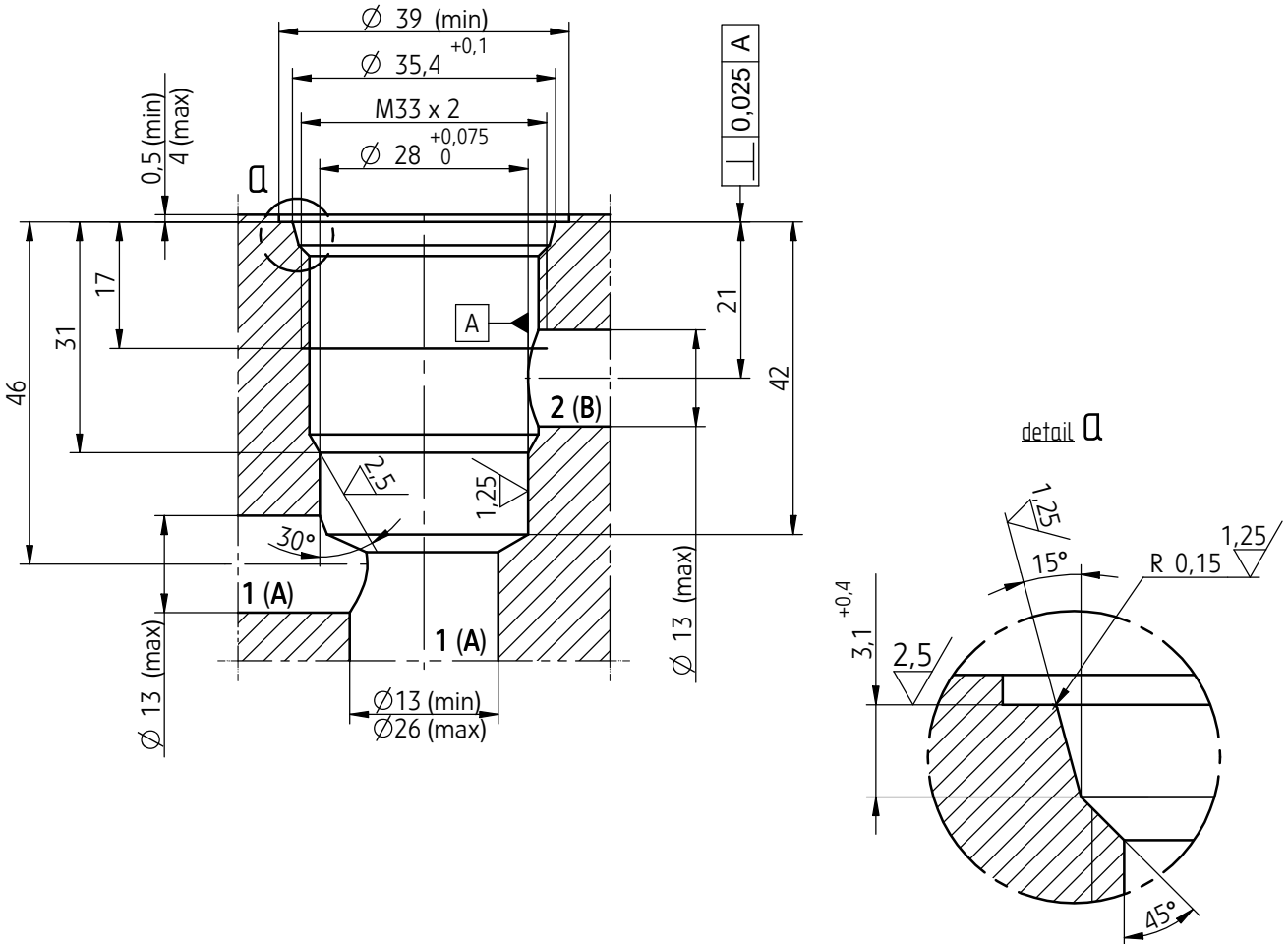
1 - Seal o-ring 29,2 x 3	- pcs 1
2 - Seal o-ring 23,47 x 2,62	- pcs 1

OVERALL AND CONNECTION DIMENSIONS

cavity M-10-2 (M33 x 2; 2-way)

tightening torque **Md = 50 - 55 Nm**

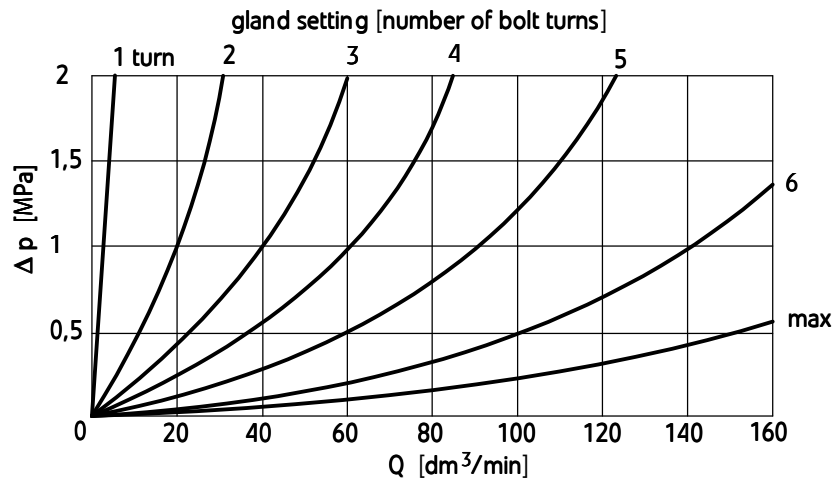
 **φ 0,025** - applied to all main bore diameters and chamfers



PERFORMANCE CURVES

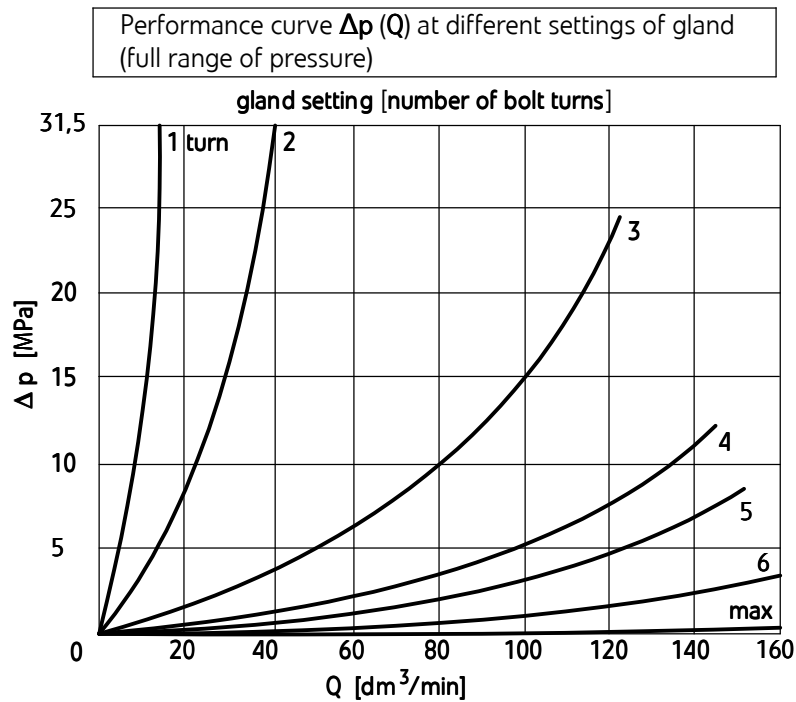
measured at viscosity $\nu = 41 \text{ mm}^2/\text{s}$ and temperature $t = 50^\circ\text{C}$

Performance curve $\Delta p(Q)$ at different settings of gland (range up to 2 MPa)



PERFORMANCE CURVES

measured at viscosity $\nu = 41 \text{ mm}^2/\text{s}$ and temperature $t = 50^\circ\text{C}$



HOW TO ORDER

UDDD 10 - / M1 *

Nominal size (NS) NS10	= 10
Series number (02-09) - connection and installation dimensions unchanged series 02	= 0X = 02
Installation connection cavity M-10-2 (M33 x 2)	= M1
Adjustment element rotary knob hexagon set screw	= 1 = 2
Sealing NBR (for fluids on mineral oil base) FKM (for fluids on phosphate ester base)	= no code = V
Further requirements in clear text (to be agreed with the manufacturer)	

NOTES:

The valve should be ordered according to the above coding.

The symbols in bold are the preferred versions in short delivery time.

Coding example: UDDD10 - 02/ M1 - 2

PONAR Wadowice S.A.
ul. Wojska Polskiego 29
34-100 Wadowice
tel. +48 33 488 21 00
fax. +48 33 488 21 03
www.ponar-wadowice.pl

