

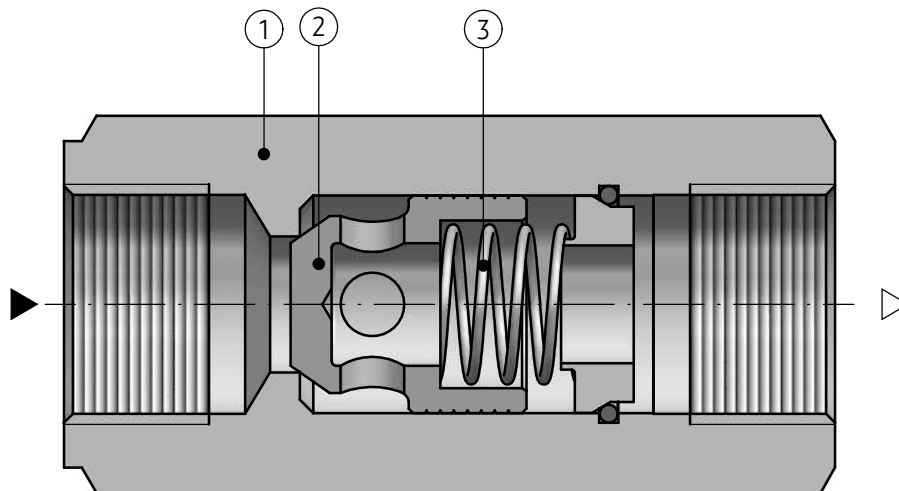
### APPLICATION

Check valves type S... provide leakage-free closure of hydraulic fluid flow in one direction and allow free flow in the opposite direction. Check valves type S... are designed for in-line mounting in any position.



### DESCRIPTION OF OPERATION

S15 A 1.0



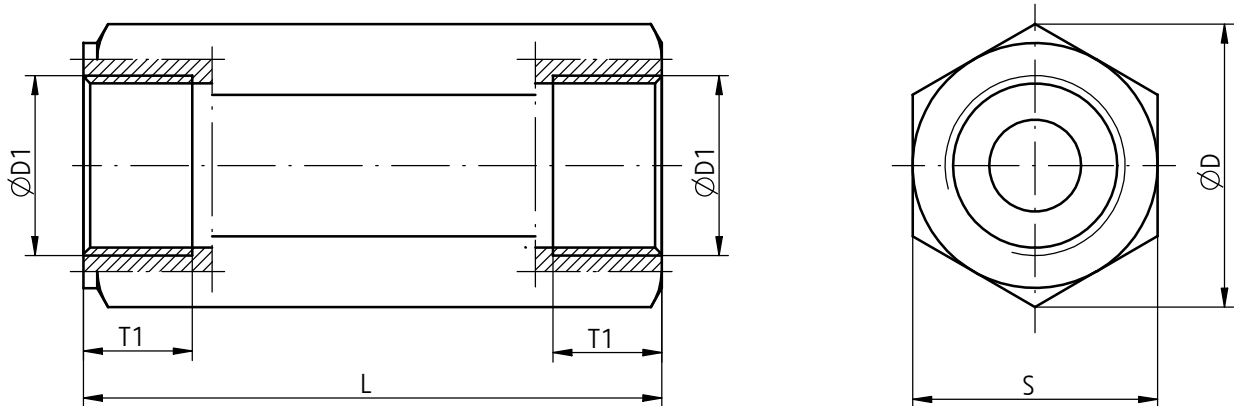
Fluid flowing through the valve overcomes the resistance of the spring (3) and causes the poppet (2) to lift. This allows free flow. In the opposite direction

the spring (3) and the fluid push the poppet (2) onto the seat in the housing (1) and close the connection.

## TECHNICAL DATA

Hydraulic fluid	mineral oil						
Required filtration	up to 16 µm						
Recommended filtration	up to 10 µm						
Nominal fluid viscosity	37 mm <sup>2</sup> /s at temperature 55 °C						
Viscosity range	2,8 up to 380 mm <sup>2</sup> /s						
Fluid temperature range (in a tank)	recommended	40 °C up to 55 °C					
	max	-20 °C up to +70 °C					
Ambient temperature range	- 20 °C up to +70 °C						
Maximum operating pressure	31,5 MPa						
Cracking pressure	0,0; 0,05; 0,15; 0,3; 0,5 MPa						
Nominal flow [dm <sup>3</sup> /min] at v = 6 m/s	nominal size						
	WN6	WN8	WN10	WN16	WN20	WN25	WN30
	10	18	30	65	115	175	260

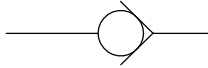
## OVERALL AND CONNECTION DIMENSIONS



Nominal size (NS)	ØD1	T1	L	S	D	weight [kg]
6	G1/4	12	58	19	22	0,1
8	G3/8	12	58	24	28	0,2
10	G1/2	14	72	30	34,5	0,3
15	G3/4	16	85	36	41,5	0,5
20	G1	18	98	46	53	1,0
25	G1 1/4	20	120	60	69	2,0
30	G1 1/2	22	132	65	75	2,5

## SCHEMES

Graphic symbol for the valve type S...



version S... A 0.0 (without spring)

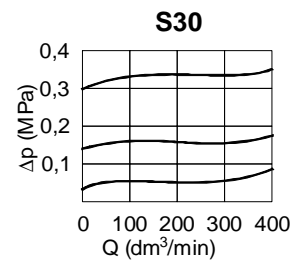
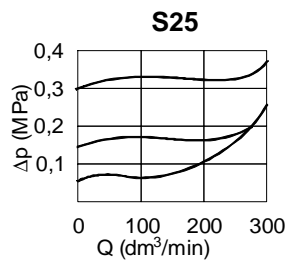
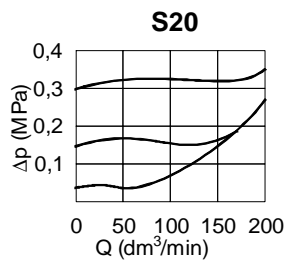
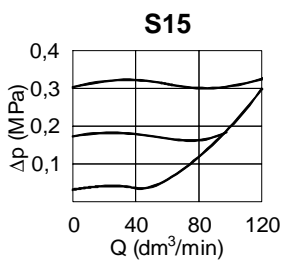
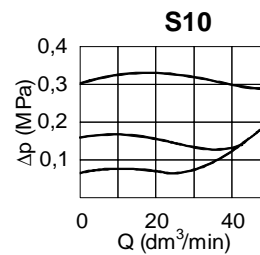
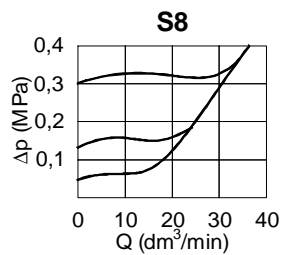
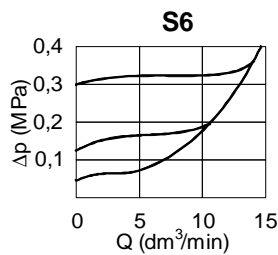


versions: S... A 1.0  
S... A 2.0  
S... A 3.0  
S... A 5.0

## PERFORMANCE CURVES

measured at viscosity  $\nu = 41 \text{ mm}^2/\text{s}$  and temperature  $t = 50^\circ\text{C}$

Pressure difference  $\Delta p$  related to flow  $Q$   
at the particular cracking pressure



## HOW TO ORDER

<b>S</b>		<b>A</b>	• <b>0</b>	<b>*</b>
----------	--	----------	------------	----------

### Nominal size (NS)

NS6	= 0
NS8	= 8
NS10	= 10
NS15	= 15
NS20	= 20
NS25	= 25
NS30	= 30

### Type of connection

**threaded for in-line mounting** = **A**

### Cracking pressure

0,00 MPa (without spring)	= 0
<b>0,05 MPa</b>	= <b>1</b>
0,15 MPa	= 2
0,30 MPa	= 3
0,50 MPa	= 5

### Series number

**series 0** = **0**

Further requirements in clear text (to be agreed with the manufacturer)

### NOTES:

The valve should be ordered according to the above coding.

**The symbols in bold are preferred versions in short delivery time.**

Coding example: S6 A 1.0

PONAR Wadowice S.A.  
 ul. Wojska Polskiego 29  
 34-100 Wadowice  
 tel. +48 33 488 21 00  
 fax. +48 33 488 21 03  
[www.ponar-wadowice.pl](http://www.ponar-wadowice.pl)

