



### TECHNICAL DATA

#### Plug-in connectors for solenoids (standard)

Electrical connection in accordance with ISO4400/DIN 43650 without LED

(designation in data sheets of Ponar product: Z4

Version of electrical connection (in accordance with designation in Ponar product data sheets)		Plug-in connector (control side)	Order code
Type of control	Control voltage		
G 12	12V DC	A	1476-00583360
	12V DC	B	1476-00583370
G 24	24V DC	A	1476-00583360
	24V DC	B	1476-00583370
G 110	110V DC	A	1476-00583360
	110V DC	B	1476-00583370
W 110 R	110V AC 50 Hz	A	1476-00565060
	110V AC 50 Hz	B	1476-00565050
W 230 R	230V AC 50 Hz	A	1476-00565030
	230V AC 50 Hz	B	1476-00565020

Electrical connection in accordance with ISO4400/DIN 43650 with LED

(designation in data sheets of Ponar product: Z4L

Version of electrical connection (in accordance with designation in Ponar product data sheets)		Plug-in connector (control side)	LED color	Order code
Type of control	Control voltage			
G 12	12V DC	A	red	0000-00565440
	12V DC	B	red	0000-00565450
G 24	24V DC	A	red	0000-00564950
	24V DC	B	red	0000-00564960
G 110	110V DC	A	green	0000-00564970
	110V DC	B	green	0000-00564980
W 110 R	110V AC 50 Hz	A	red	1476-00565070
	110V AC 50 Hz	B		
W 230 R	230V AC 50 Hz	A	red	1476-00565040
	230V AC 50 Hz	B		

### Plug-in connectors for solenoids (non-standard)

Electrical connection in accordance with ISO4400/DIN 43650 with overvoltage protection circuit with varistor and LED (indicator of supply voltage)

Version of electrical connection (in accordance with designation in data sheets of Ponar product)		LED color	Order code
Type of control	Control voltage		
G 12	12V DC	red	1476-00564920
G 24	24V DC	red	1476-00564900
G 110	110V DC	red	1476-00564910

### Plug-in connectors for pressure switches

Electrical connection in accordance with ISO4400/DIN 43650 without LED  
(designation in data sheets of Ponar product: Z4)

Nominal voltage	Order code
24V	1476-00583360

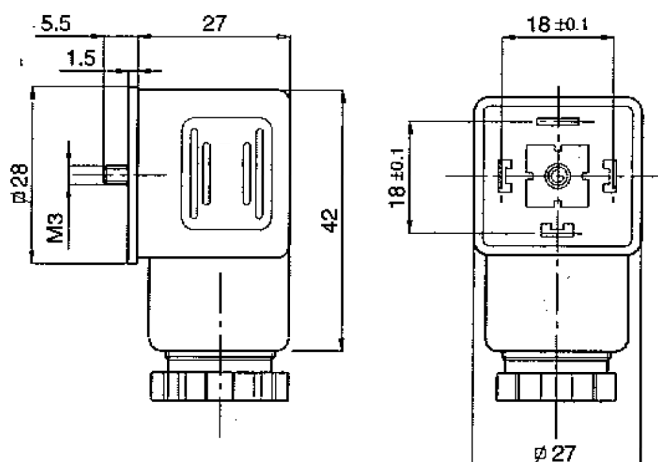
Electrical connection in accordance with ISO4400/DIN 43650 with LED  
(designation in data sheets of Ponar product: Z4L)

Nominal voltage	LED color	Order code
24V	red	1476-00701610
110V	red	1476-00569170
230V	red	1476-00569180

## OVERALL AND CONNECTION DIMENSIONS

### Plug-in connectors for solenoids

Connector type: Z4, Z4L  
(connector with overvoltage protection circuit with varistor and LED)  
versions of control voltage: G12, G24, G110

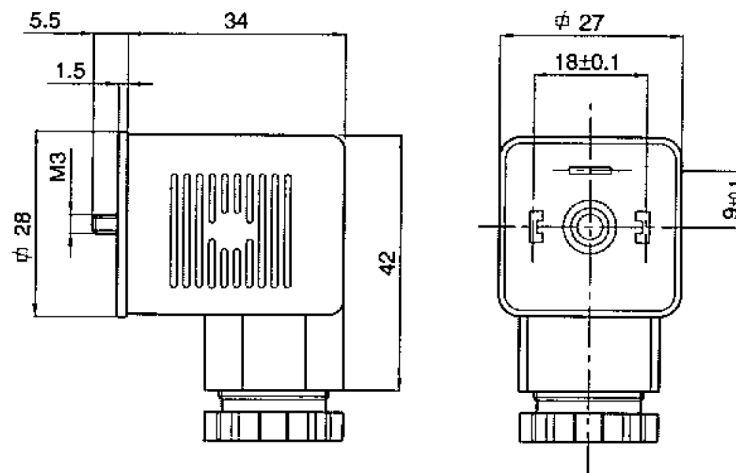


## OVERALL AND CONNECTION DIMENSIONS

### Plug-in connectors for solenoids

connector type: Z4, Z4L

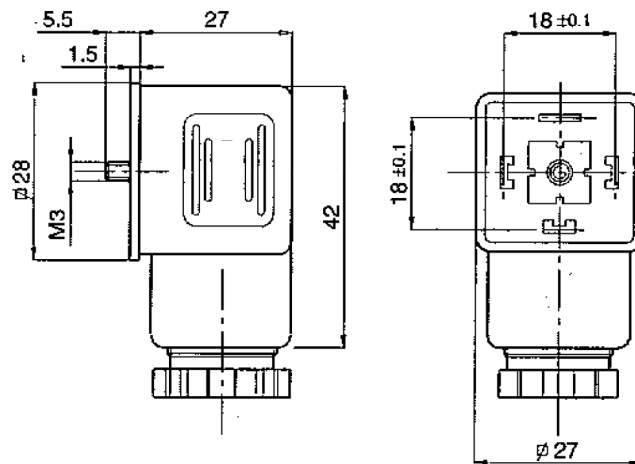
versions of control voltage: W110R, W230R



### Plug-in connectors for pressure switches

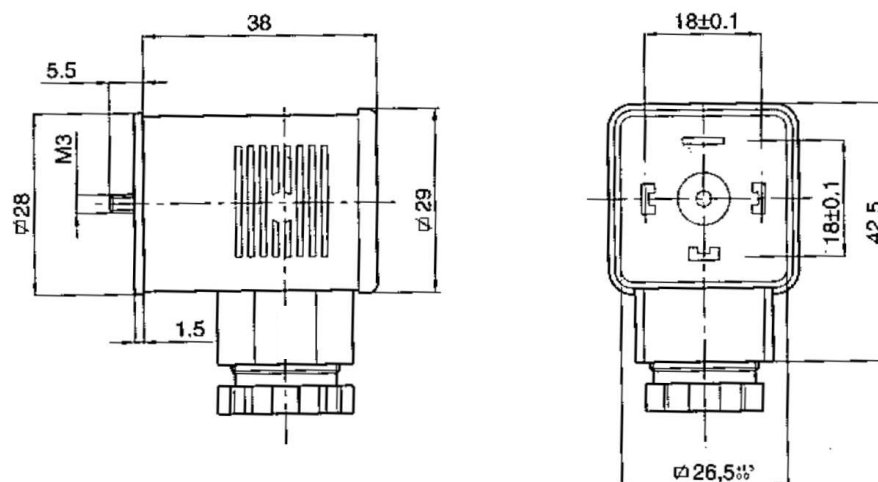
connector type: Z4

nominal voltage: 24V, 110V, 230V



connector type: Z4L

nominal voltage: 24V, 110V, 230V

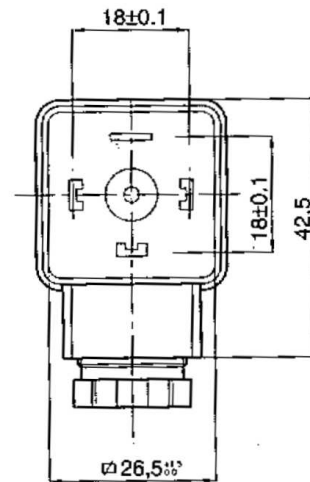
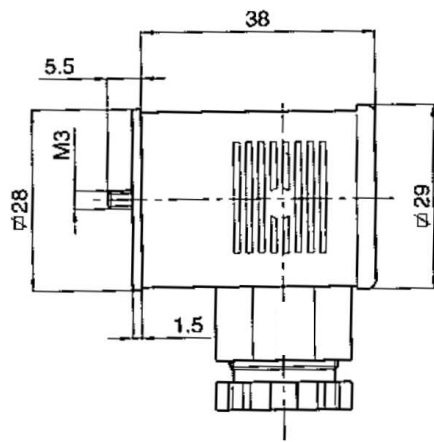


## OVERALL AND CONNECTION DIMENSIONS

### Plug-in connectors for pressure switches

connector type: Z4L

nominal voltage: 24V, 110V, 230V

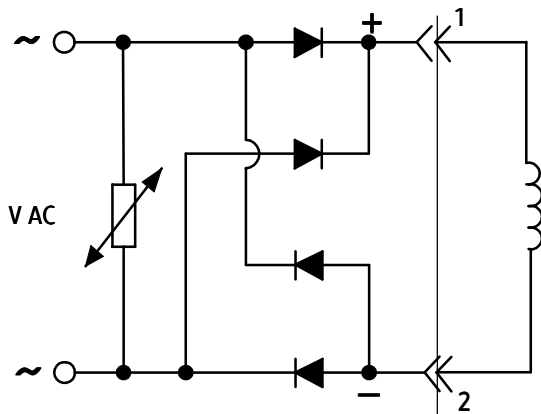


## SCHEMES

### Electrical schemes of plug-in connectors for solenoids

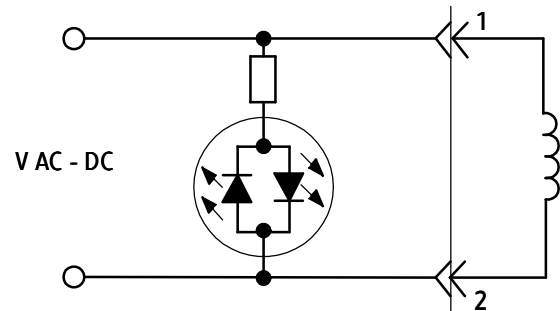
connector type: Z4

version of control voltage: W110 R, W230 R



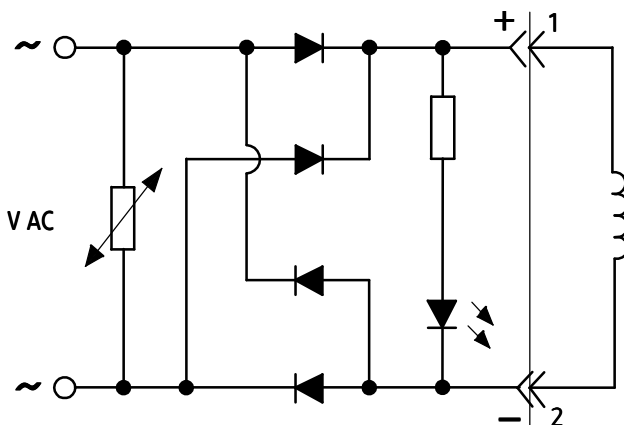
connector type: Z4L

version of control voltage: G12, G24, G110



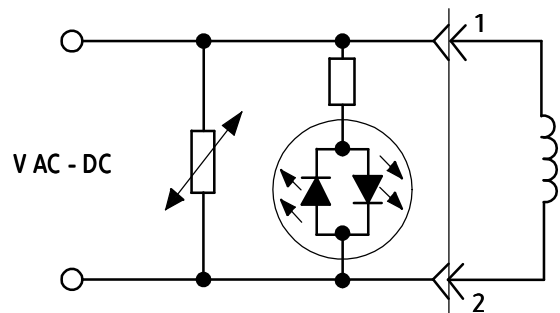
connector type: Z4L

version of control voltage: W110 R, W230 R



connector type: connector with overvoltage protection circuit with varistor and LED

version of control voltage: G12, G24, G110

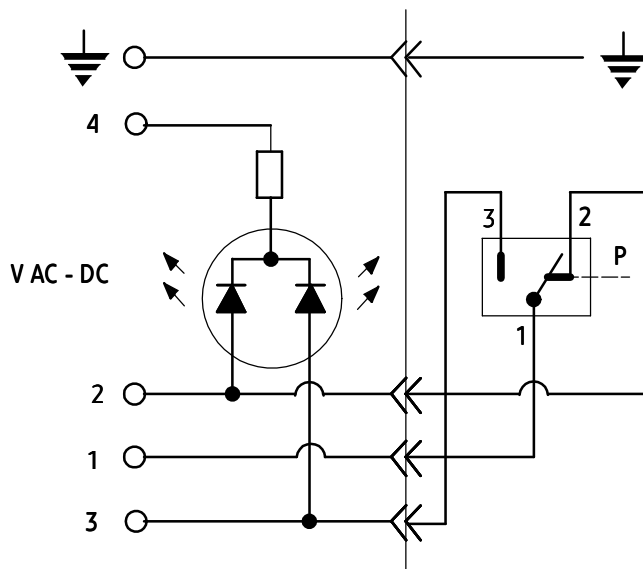


## SCHEMES

### Electrical schemes of plug-in connectors for pressure switches

connector type: Z4L

nominal voltage: 24V, 110V, 230V



## HOW TO ORDER

Plug-in connector should be ordered by specifying product name and order code according to technical data on pages 1, 2.

Ordering example: plug-in connector for solenoid type Z4, order code 1476-00583360

PONAR Wadowice S.A.  
ul. Wojska Polskiego 29  
34-100 Wadowice  
tel. +48 33 488 21 00  
fax. +48 33 488 21 03  
[www.ponar-wadowice.pl](http://www.ponar-wadowice.pl)

