

APPLICATION

Subplates type G...nominal size 6 (NS6) with threaded connections, are designed to mount hydraulic elements with subplate connections nominal size 6 (NS6), without control ports and the diameter of ports max ϕ 7,5.



DESCRIPTION OF OPERATION

Subplates type G...nominal size 6 (NS6) with threaded connections, are used to mount directional control valves, pressure valves, check valves with the configuration of holes on the mounting face in accordance with the connections:

- DIN 24340 form A (NG6)
- ISO 4401- 03-02-0-94 * (ISO 4401 - 03)
- CETOP RP 121H 4.2-4-03-320 * (CETOP 03)

NOTE:

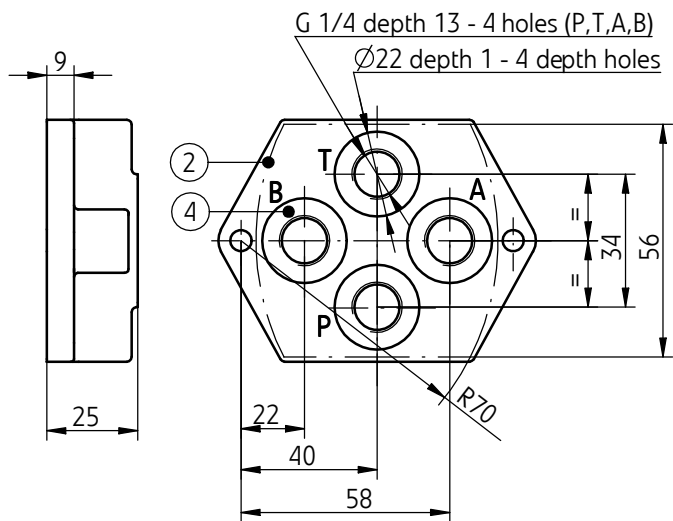
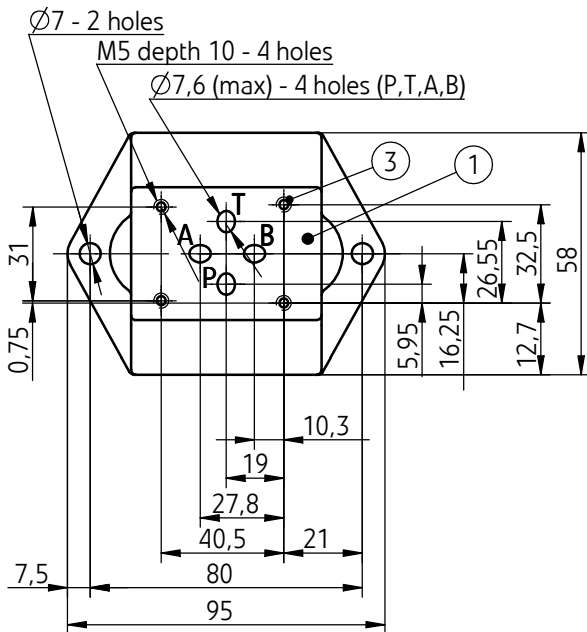
(*) - Without a hole ϕ 4 for locating pin

The range of hydraulic elements, nominal size 6 (NS6) produced by **PONAR – WADOWICE** that can be used for subplate mounting is included in the below table.

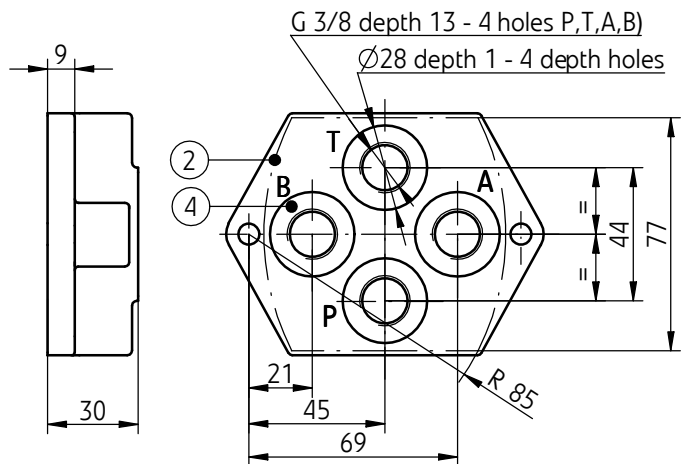
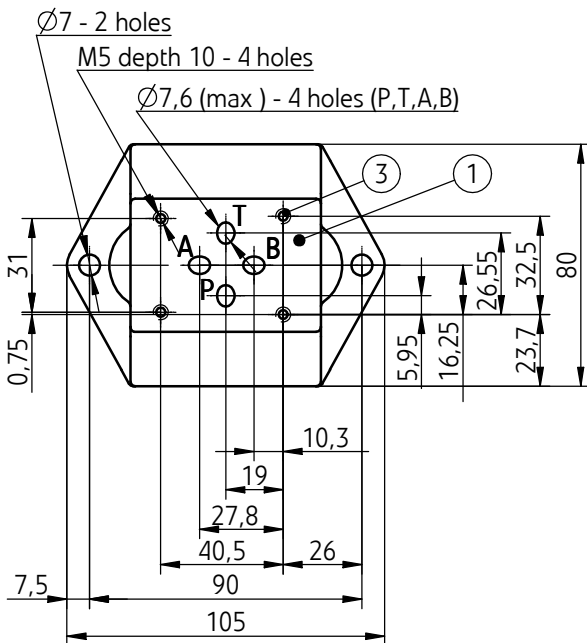
Hydraulic element	Type	Data sheet	Thickness of mounting (dimension in bolt length)
explosion proof directional control valve	IWE6	WK 499 775	42
directional control valve, electrically operated	WE6	WK 499 502	42
directional control valve, hydraulically operated	WH6	WK 420 170	42
directional control valve, hand lever operated	WMM6	WK 420 170	42
directional control valve, hand knob operated	WMD6	WK 420 170	50
pressure reducing valve, sandwich plate	UZRC6	WK 493 061	50
pressure reducing valve	UZRR6	WK 495 750	40
pressure sequence valve, sandwich plate	UZKC6	WK 393 060	30
check valve, sandwich plate	WZZC6	WK 450 355	30
double check valve, pilot operated	ZZS6	WK 450 360	40
double check/throttle valve, sandwich plate	ZZFS6	WK 450 232	30
pressure switch (with subplate UŁBC 06)	USPH4	WK 450 398	8 (USPH4) + 41 (UŁBC06)
pressure relief valve	UZPR6	WK 494 060	7

OVERALL AND CONNECTION DIMENSIONS

type G 341/01



type G 342/01

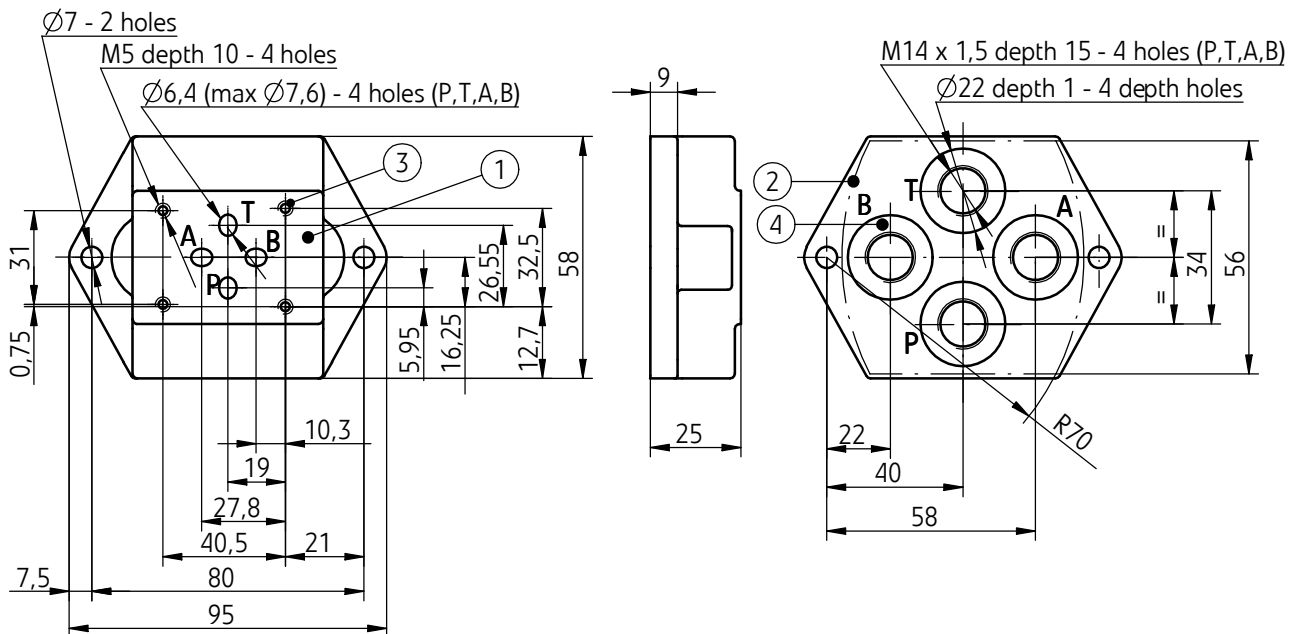


- 1 - Mounting face of hydraulic element (directional control valve or pressure valve)
- 2 - Recess in subplate for couplings of pipelines
- 3 - Holes of bolts mounting elements
mounting bolts M5 x...-10.9 in accordance with **PN -EN ISO 4762** - 4 pcs/kit must be ordered separately bolts length is dependent on hydraulic elements type which can be sandwich mounted according to the table on page 1
 tightening torque **Md = 9 Nm**
- 4 - Connections for pipelines
function of ports P, T, A, B:
P - pump connection
T - oil return to the tank
A, B - connections for a receiver

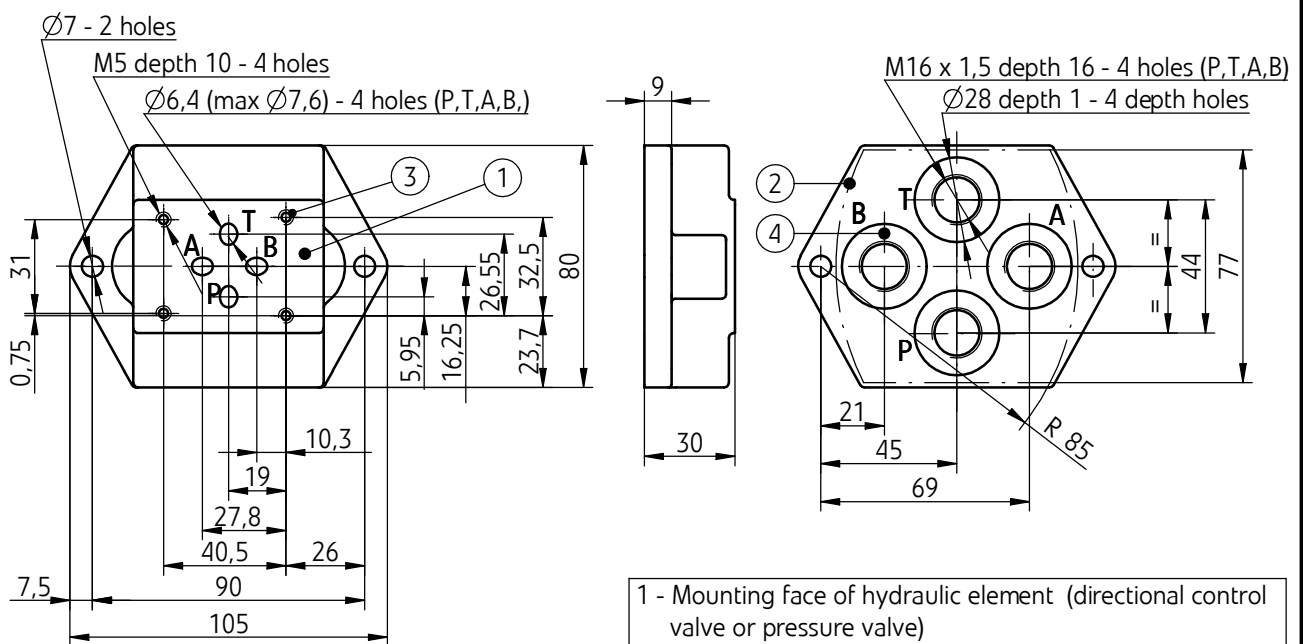
Subplate	Weight
G341/01	0,8 kg
G342/01	

OVERALL AND CONNECTION DIMENSIONS

type G 341/02



type G 342/02



- 1 - Mounting face of hydraulic element (directional control valve or pressure valve)
- 2 - Recess in subplate for couplings of pipelines
- 3 - Holes of bolts mounting elements
mounting bolts M5 x ...-10.9 in accordance with PN -EN ISO 4762 - 4 pcs/kit must be ordered separately
 bolts length is dependent on hydraulic elements type which can be sandwich mounted according to the table on page 1
 tightening torque **Md = 9 Nm**
- 4 - Connections for pipelines
function of ports P, T, A, B:
P - pump connection
T - oil return to the tank
A, B - connections for a receiver

Subplate	Weight
G341/02	0,8 kg
G342/02	

HOW TO ORDER

Subplates type **G... nominal size 6** should be ordered according to the type designation and including sizes of thread connections of pipelines (see page 2, 3). Bolts mounting hydraulic elements **M5 - 10.9** x ... in accordance with **PN -EN ISO 4762** - 4pcs/kit

(length dependent on type and number of elements sandwich mounted) should be ordered separately. Coding example of subplate type **G... nominal size 6** with thread connection **G3/8**:
Subplate type G 342/01

PONAR Wadowice S.A.
ul. Wojska Polskiego 29
34-100 Wadowice
tel. +48 33 488 29 00
fax. +48 33 488 21 03
www.ponar-wadowice.pl

